

FEATURES

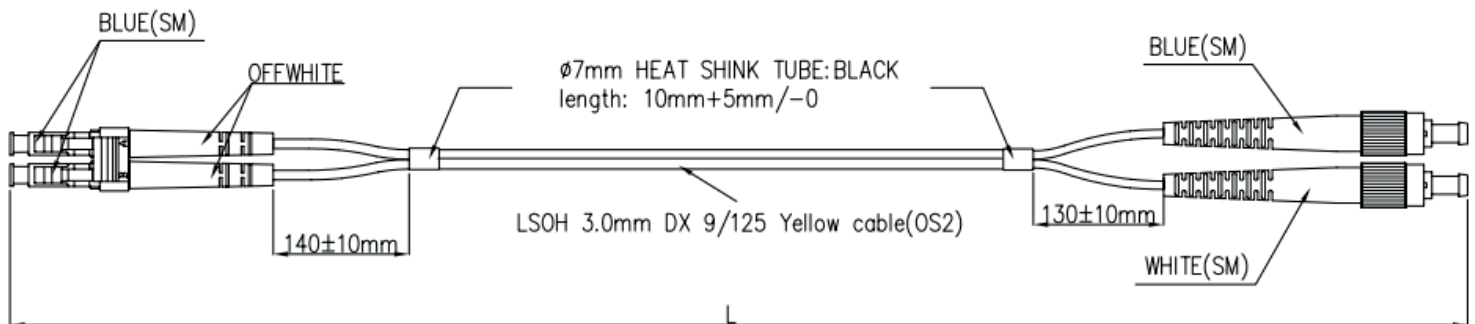
- OS2 FC UPC - LC UPC Fibre Lead
- Individually Bagged
- Duplex Yellow
- Available in 5 Different Lengths
- Strain Relief Boot
- 3.00mm LSOH Cable Jacket

DESCRIPTION

Our FC UPC - LC UPC OS2 Singlemode Fibre Optic Patch Leads are used to connect networks over greater distances than multimode fibre. All assemblies are fully tested during manufacturing and are supplied with test results. OS2 Singlemode patch leads are supplied with a strain relief boot and a 3.00mm yellow LSOH cable jacket as standard.

Non-stocked configurations (length, colour, connectors and cable type) can be manufactured to meet specific requirements - Please contact our sales team for more information.

TECHNICAL DRAWING



ORDERING INFORMATION

Part Code	Description
9FCLC1	1m OS2 9/125 FC UPC – LC UPC Duplex Yellow LSOH Fibre Patch Lead
9FCLC2	2m OS2 9/125 FC UPC – LC UPC Duplex Yellow LSOH Fibre Patch Lead
9FCLC3	3m OS2 9/125 FC UPC – LC UPC Duplex Yellow LSOH Fibre Patch Lead
9FCLC5	5m OS2 9/125 FC UPC – LC UPC Duplex Yellow LSOH Fibre Patch Lead
9FCLC10	10m OS2 9/125 FC UPC – LC UPC Duplex Yellow LSOH Fibre Patch Lead