

FEATURES

- OM1 62.5/125 LC - SC Fibre Lead
- Duplex Orange
- Strain Relief Boot
- LSOH Jacket - IEC332-1
- Individually Bagged
- Available in 6 Different Lengths

DESCRIPTION

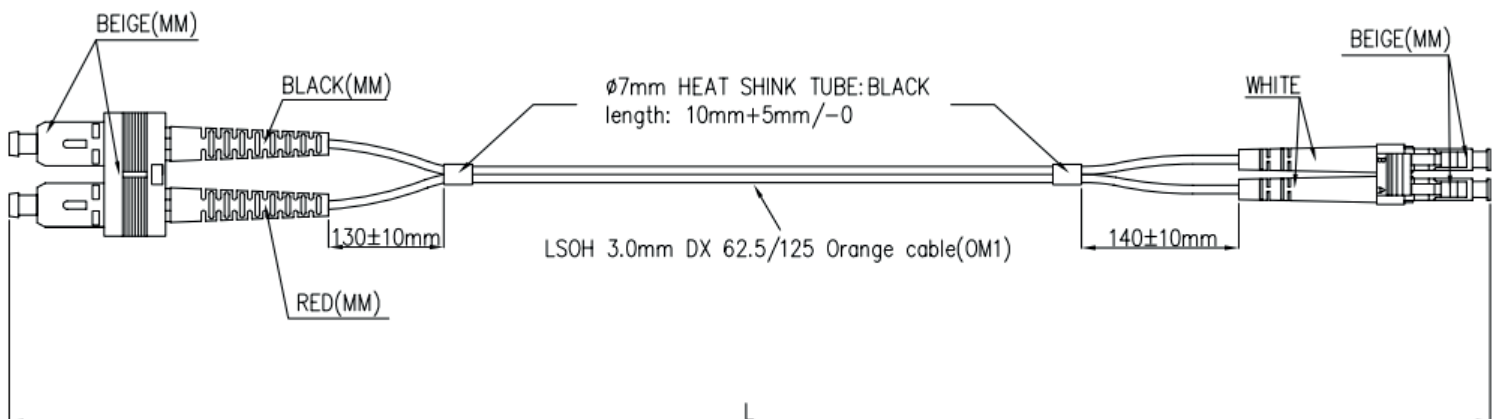
Our LC-SC OM1 Multimode Fibre Optic Patch Leads can support 10 Gigabit Ethernet at lengths up to 33m, however, it is commonly used for 100 Megabit Ethernet applications.

All assemblies are fully tested during manufacturing and are supplied with test results.

OM1 Multimode Fibre Optic Patch Leads are supplied with a strain relief boot and 3.00mm Orange LSOH cable jacket as standard.

Non-stocked configurations (length, colour, connectors and cable type) can be manufactured to meet specific requirements - PLEASE CONTACT OUR SALES TEAM FOR MORE INFORMATION.

TECHNICAL DRAWING



ORDERING INFORMATION

Part Code	Description
62LCSC05	0.5m OM1 62.5/125 LC-SC Duplex Orange LSOH Fibre Patch Lead
62LCSC1	1m OM1 62.5/125 LC-SC Duplex Orange LSOH Fibre Patch Lead
62LCSC2	2m OM1 62.5/125 LC-SC Duplex Orange LSOH Fibre Patch Lead
62LCSC3	3m OM1 62.5/125 LC-SC Duplex Orange LSOH Fibre Patch Lead
62LCSC5	5m OM1 62.5/125 LC-SC Duplex Orange LSOH Fibre Patch Lead
62LCSC10	10m OM1 62.5/125 LC-SC Duplex Orange LSOH Fibre Patch Lead