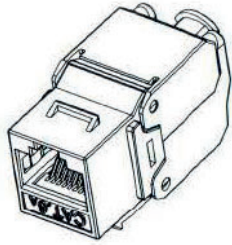
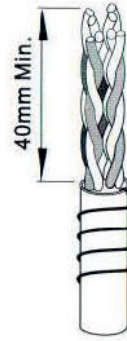


# Keystone Jack Assembly Guide



Wire AWG:22-24 AWG



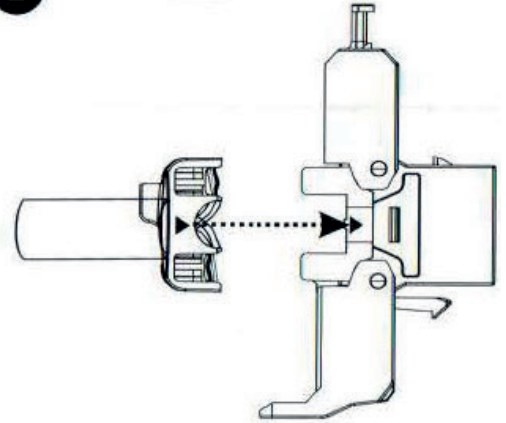
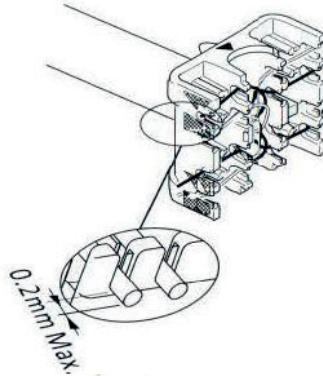
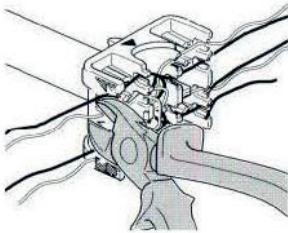
U/FTP  
F/UTP



S/FTP

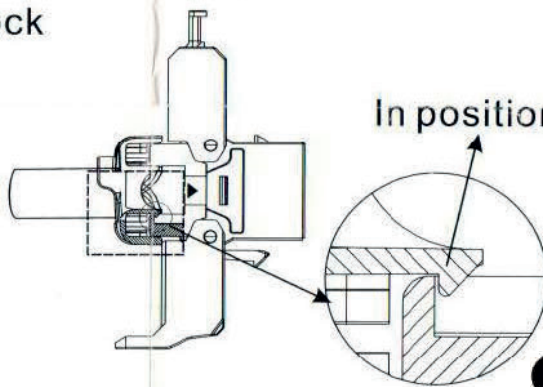
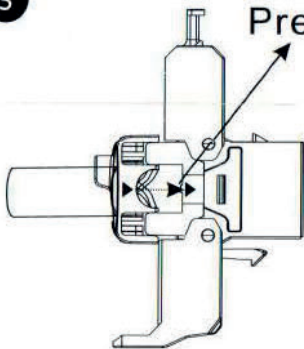
1 Align with the Cap

2

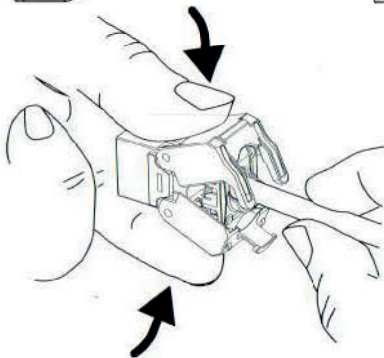


3 Pre-lock

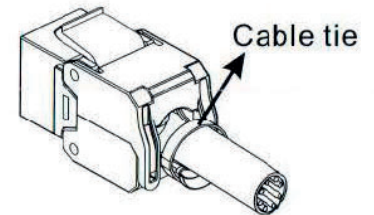
In position



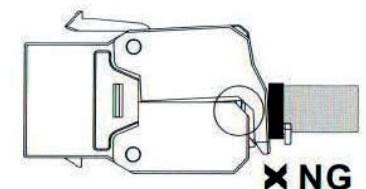
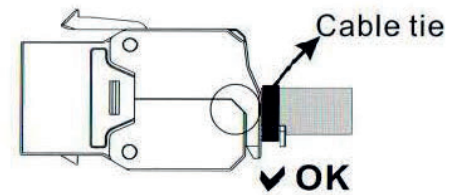
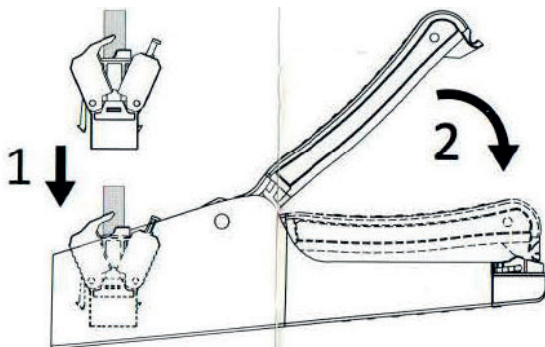
4a



5



4b



The mated plug should comply with FCC Part 68 Subpart F rules and IEC 60603-7