

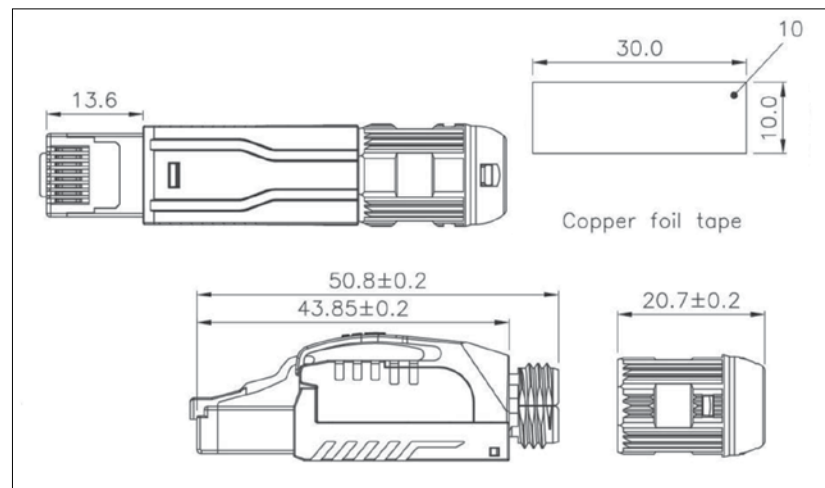
**Connector**

Latch	PC, UL 94V-2, Black
Housing	zinc die-cast with nickel plating
RJ45 Housing	PC, UL 94V-2, black color
RJ45 Contact material	Phosphor bronze with 100 micron nickel plating
RJ45 Contact finish	Min. 50 micron gold plating on the surface contact area
Cover	Zinc die-casting with nickel plating
Wire management bar	PC and glass fiber, white color, UL 94V-2
IDC Housing	PC, white color, UL 94V-2
IDC Terminal	Titanium copper with tin plating
Grounding contact	Zinc die-cast with nickel plating
Boot Housing	Zinc die-cast with nickel plating
Boot Strain Relief	PC, UL 94V-2, black color
Boot Cap	PC, UL 94V-2, black color
PCB	UL 94V-0
Copper foil tape	

**Cable**

Colour	Black
Standards Compliant	ANSI/TIA-568-C.2, ISO/IEC 11801, BS EN 50173
Overall Diameter	7.5mm
Sheath Material	PE, LDPE
Conductor Material	Bare Copper, 23AWG
Drain Wire	Tin Plated Copper, 0.45mm
Pulling Force	Max. 110N
Mean Characteristic Impedance	100 Ohms ± 5 Ohms @ 100MHz
Nominal Velocity of Propagation (NVP)	74%

Full shielded with zinc alloy housing.  
 With T-568A and T-568B wiring map.  
 Complies with the C6A patch cord component level.  
 Wire gauge: 23 AWG to 26 AWG  
 OD of cable jacket from 6.0 mm to 7.5 mm



ITEM CODE PE65-6### (replace ### with length 005=0.5m, 010=1m, 020=2m etc.)

ITEM DESCRIPTION ###.###m Cat6a RJ45 Black F/FTP PE External Solid Patch Lead (replace ### with length 0.5, 1.0 etc.)