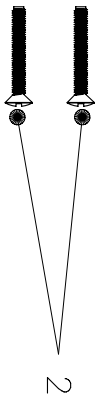
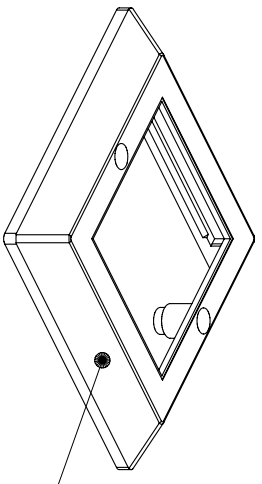
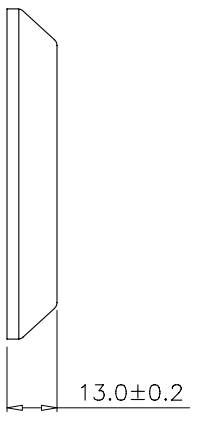
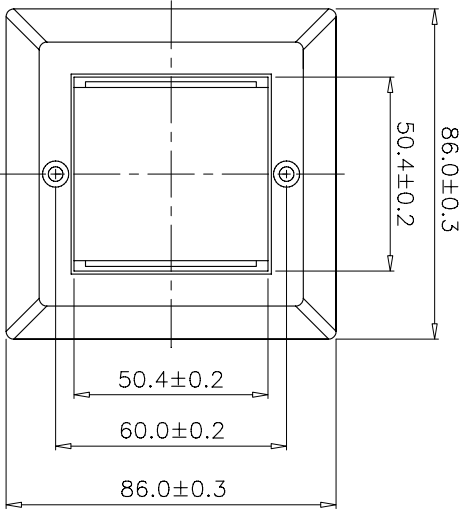


1 2 3 4 5 6



SCALE 1/2



2011.02.08
發行

GENERAL TOLERANCE OF DIMENSIONS
XXXX ±0.005
XXX ±0.05
XX ±0.1

DRAWING	20.JAN.2011	WENUUN
CHECK	20.JAN.2011	JANE
APPROVAL	20.JAN.2011	JAINY
DATE		NAME

ITEM NO.: AAHRA0100000404



DES.: FACE PLATE 86X86MM

DRAWING NO. | AAHRA0100000404 JE303WT-PB(SA5)

SCALE	1/2 (A4)	UNIT	mm
DRAWING CLASSIFICATION	S	SHEET	1 OF 1



Specification :

1. Face Plate : ABS, UL 94-HB, with White 1 color.
2. Screw : M3.5 x L25.0 mm.

D C B A

1 2 3 4 5 6

D C B A

10cm