

# Technical Specification - HP/Aruba Compatible DAC Leads

## Systems

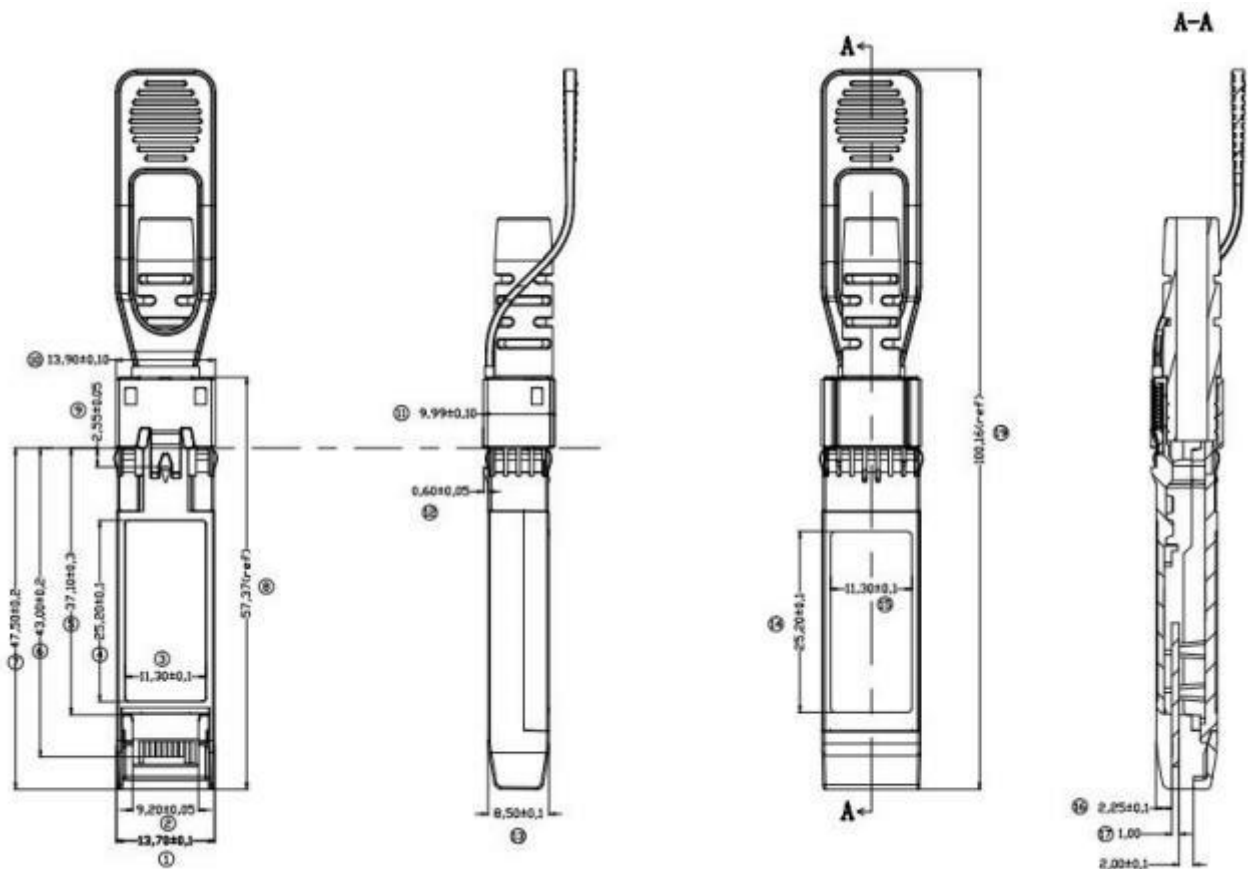
Performance	Media	Operating parameters
10.5Gbps line speed, full duplex Bit error rate: better than 10E-12	Hot-pluggable, industry-standard Small Form-Factor Pluggable (SFP+) copper cable, available as 1m, 3m or 5m.	Supply voltage: 3.3V Power consumption(per end): max 0.2W

## Pin Descriptions

Pin	Logic	Symbol	Name/Description	Notes
1		VeeT	Transmitter Ground	
2	LV-TTL-O	TX_Fault	N/A	1
3	LV-TTL-I	TX_DIS	Transmitter Disable	2
4	LV-TTL-I/O	SDA	Tow Wire Serial Data	
5	LV-TTL-I	SCL	Tow Wire Serial Clock	
6		MOD_DEF0	Module present, connect to VeeT	
7	LV-TTL-I	RS0	N/A	1
8	LV-TTL-O	LOS	LOS of Signal	2
9	LV-TTL-I	RS1	N/A	1
10		VeeR	Receiver Ground	
11		VeeR	Receiver Ground	
12	CML-O	RD-	Receiver Data Inverted	
13	CML-O	RD+	Receiver Data Non-Inverted	
14		VeeR	Receiver Ground	
15		VccR	Receiver Supply 3.3V	
16		VccT	Transmitter Supply 3.3V	
17		VeeT	Transmitter Ground	
18	CML-I	TD+	Transmitter Data Non-Inverted	
19	CML_I	TD-	Transmitter Data Inverted	
20		VeeT	Transmitter Ground	

- 1) Signals not supported in SFP+ Copper pulled-down to VeeT with 30K ohms resistor
- 2) Passive cable assemblies do not support LOS and TX\_DIS

## Mechanical Dimensions



## Important Notice

Performance figures, data and any illustrative material provided in this data sheet are typical and must be specifically confirmed in writing by company before they become applicable to any particular order or contract. In accordance with company policy of continuous improvement specifications may change without notice. The publication of information in this data sheet does not imply freedom from patent or other protective rights of company or others. Further details are available from any company sales representative.

## Ordering information

Part Number	ESDPX-330CNxx									
Length (meter)	1	2	3	4	5	6	7	8	9	10
Wire gauge (AWG)	30	30	30	24	24	24	24	24	24	24