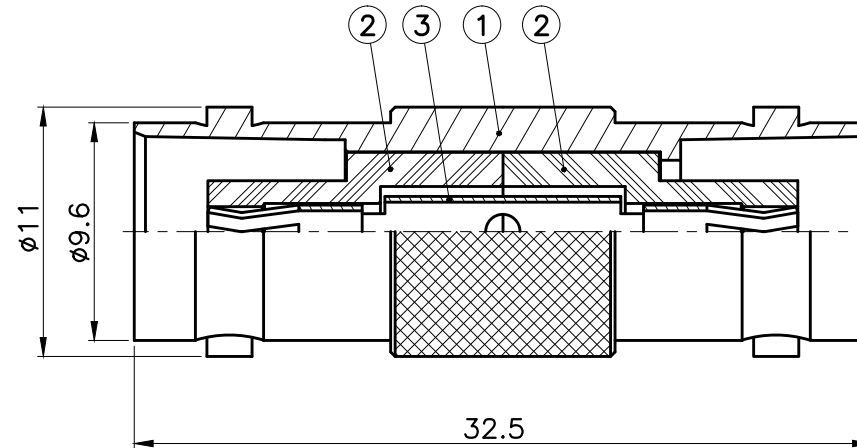


REVISIONS	
ISS	DESCRIPTION\DATE
1	

RoHS COMPLIANT



50ohm



得新電子股份有限公司
Dersing Electronics Co., Ltd.

APRD: *Johnson*

CHKD: 力英豪

DR: 力英豪

UNLESS OTHERWISE
SPECIFIED TOLERANCES
0.5-6 = ±0.2
>6-30 = ±0.4
>30-120 = ±0.6
>120-315 = ±1
>315-1000 = ±1.6
ANGLES = ±5°

TITLE: BNC FEMALE TO FEMALE

PART NO: A002A000

DRAWING NO: 20003-010

DATE: 10/20/05'

SHEET: .

UNIT: mm

SCALE: 3/1

NO.	DESCRIPTION	MATERIAL	FINISH	SGS REPORT NO	Q'TY
3	CONTACT PIN	P.B	GOLD	KA/2005/10526\ KA/2005/30993	1
2	INSULATOR	DELIN	WHITE	KA/2005/10531	2
1	BODY	BRASS	NICKEL	KA/2005/10527\ KA/2005/60362	1

ISO 9001 certificate