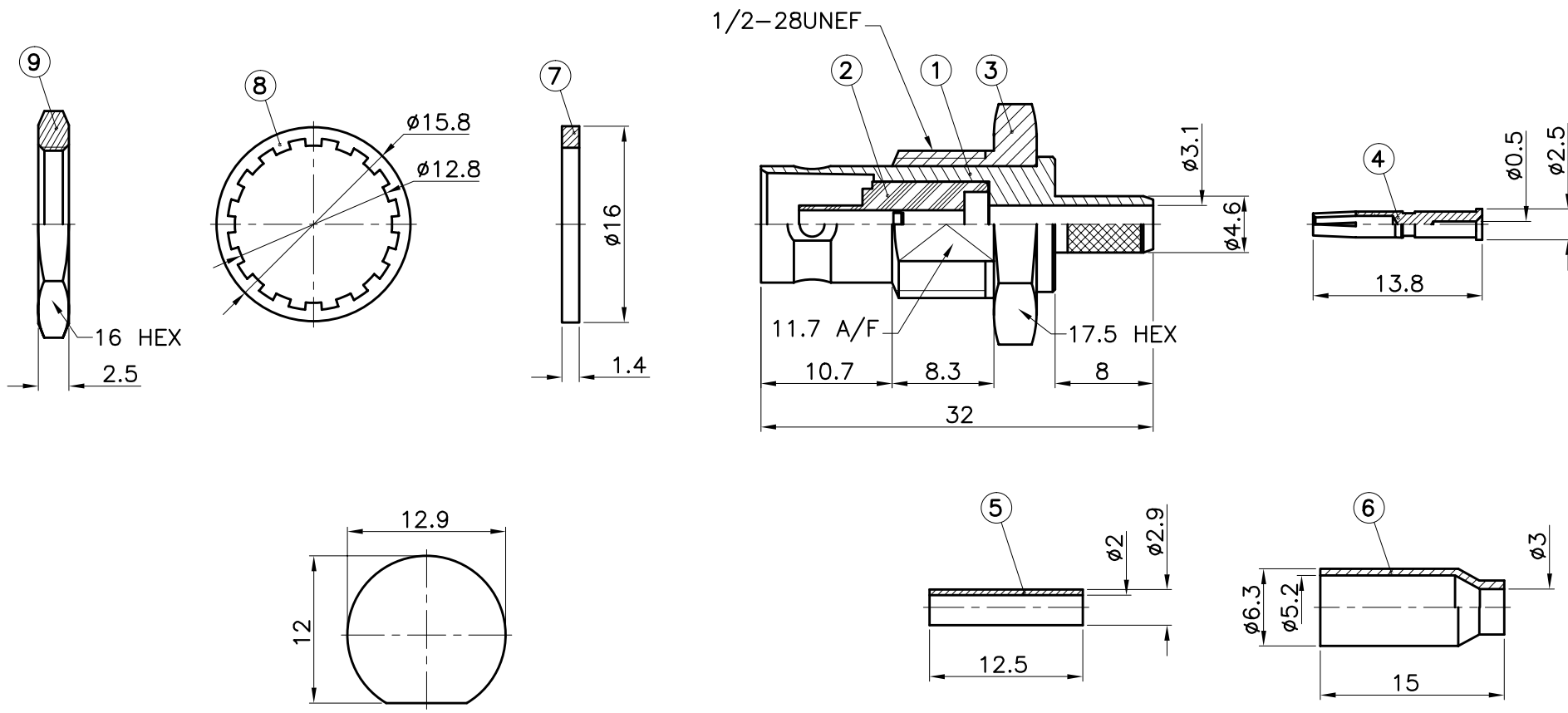


REVISIONS	
ISS	DESCRIPTION\DATE

RoHS COMPLIANT



PANEL HOLE

TITLE: BNC FEMALE BULKHEAD CRIMP IF TYPE	APRD:	UNLESS OTHERWISE SPECIFIED TOLERANCES 0.5-6 = ±0.2 >6-30 = ±0.4 >30-120 = ±0.6 >120-315 = ±1 >315-1000 = ±1.6 ANGLES = ±5°	9	NUT	BRASS	NICKEL
	CHKD:		8	WASHER	STEEL	NICKEL
	DR:		7	GASKET	SILICONE	RED
PART NO: BNC10-179	DATE: 01/08/13"	UNIT: mm	6	FERRULE	BRASS	NICKEL
DRAWING NO: 50650-607(B005N179-75)	SHEET: .	SCALE: 2/1	5	SPACER	DELTRIN	WHITE
			4	CONTACT PIN	BRASS	GOLD
			3	INSULATOR	ABS	NATURAL
			2	INSULATOR	DELTRIN	WHITE
			1	BODY	BRASS	NICKEL
			NO.	DESCRIPTION	MATERIAL	FINISH