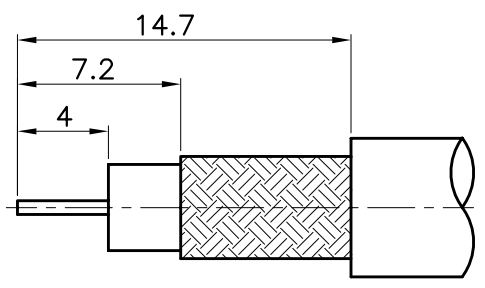
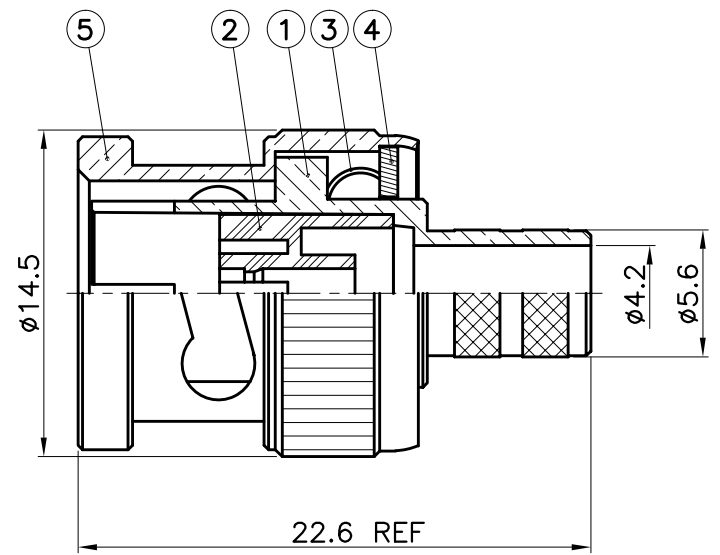
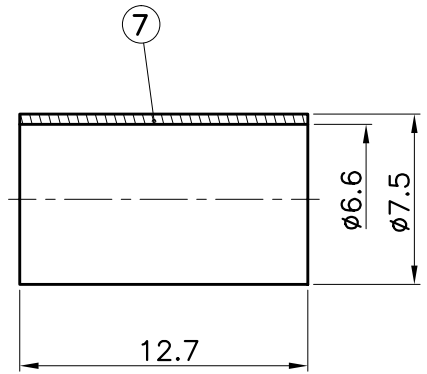
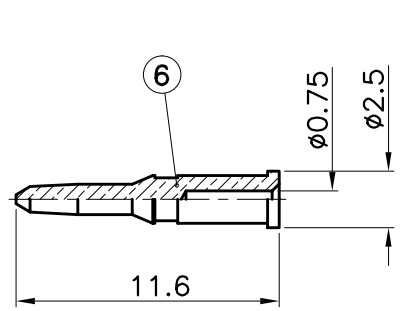


REVISIONS		
ISS	DESCRIPTION	DATE
1		

RoHS COMPLIANT



RECOMMENDED
CABLE STRIPPING DIM'S



1. CRIMPED FERRULE
HEX CRIMP SIZE .256"
2. CRIMPED CONTACT PIN
HEX CRIMP SIZE .068"

TITLE: BNC MALE CRIMP (75 ohm) (FOR RG59)	CHKD:	UNLESS OTHERWISE SPECIFIED TOLERANCES 0.5-6 = ±0.2 >6-30 = ±0.4 >30-120 = ±0.6 >120-315 = ±1 >315-1000 = ±1.6 ANGLES = ±5°	7	FERRULE	BRASS	NICKEL	KA/2005/10527\	KA/2005/60362
	DR:		6	CONTACT PIN	BRASS	GOLD	KA/2005/10527\	KA/2005/30993
PART NO: B002D059-96-75	DATE: 10/28/10"	UNIT: mm	5	SHELL	ZINC ALLOY	NICKEL	KA/2005/10528\	KA/2005/60362
DRAWING NO: 50014-018	SHEET: .	SCALE: 3/1	4	WASHER	STEEL	NICKEL	KA/2005/10523\	KA/2005/60362
			3	SPRING	SK-5	NICKEL	KA/2005/10524\	KA/2005/60362
			2	INSULATOR	DELTRIN	WHITE	KA/2005/10531	
			1	BODY	ZINC ALLOY	NICKEL	KA/2005/10528\	KA/2005/60362
			NO.	DESCRIPTION	MATERIAL	FINISH	SGS REPORT NO	