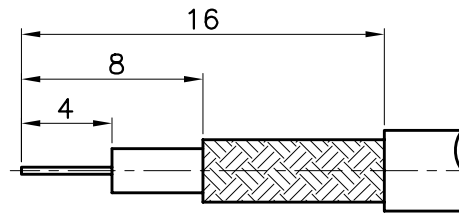
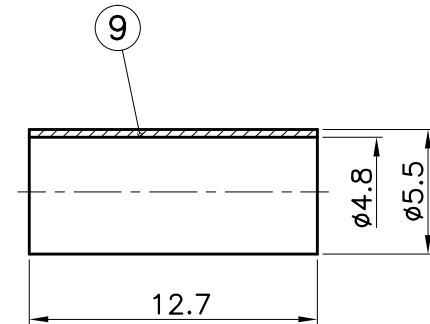
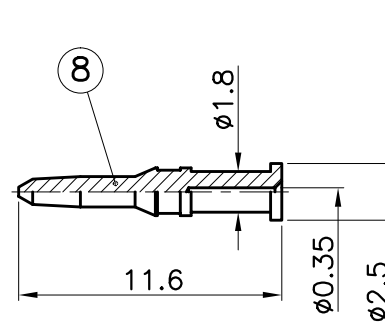
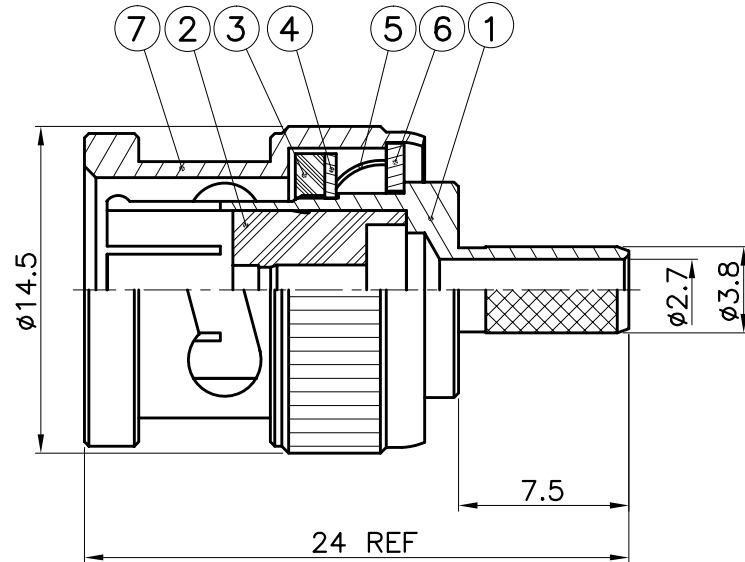


REVISIONS	
ISS	DESCRIPTION \ DATE

RoHS COMPLIANT



RECOMMENDED
CABLE STRIPPING DIM'S



1. CRIMPED FERRULE
HEX CRIMP SIZE .187"
2. CRIMPED CONTACT PIN
SQ CRIMP SIZE .047"

TITLE: BNC MALE CRIMP(75 ohm) (FOR BT3002)		APRD:		UNLESS OTHERWISE SPECIFIED TOLERANCES		9	FERRULE	BRASS	NICKEL	KA/2005/10527 \	KA/2005/60362
PART NO: BNC1-3002		CHKD:		0.5-6 = ±0.2		8	CONTACT PIN	BRASS	GOLD	KA/2005/10527 \	KA/2005/30993
DR. NO: 50200-250(B002B302-96-T75)		DR:		>6-30 = ±0.4		7	SHELL	BRASS	NICKEL	KA/2005/10527 \	KA/2005/60362
DATE: 02/11/09"		UNIT: mm		>30-120 = ±0.6		6	WASHER	STEEL	NICKEL	KA/2005/10523 \	KA/2005/60362
SHEET: .		SCALE: 3/1		>120-315 = ±1		5	SPRING	SK-5	NICKEL	KA/2005/10524 \	KA/2005/60362
				>315-1000 = ±1.6		4	C WASHER	STEEL	NICKEL	KA/2005/10523 \	KA/2005/60362
				ANGLES = ±5°		3	GASKET	PVC	RED	KA/2005/10533	
						2	INSULATOR	TEFLON	WHITE	KA/2005/50918	
						1	BODY	BRASS	NICKEL	KA/2005/10527 \	KA/2005/60362
						NO.	DESCRIPTION	MATERIAL	FINISH	SGS REPORT NO	