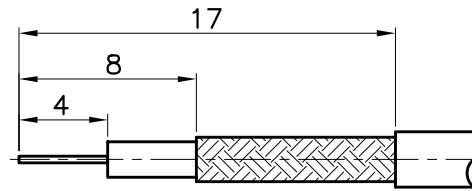
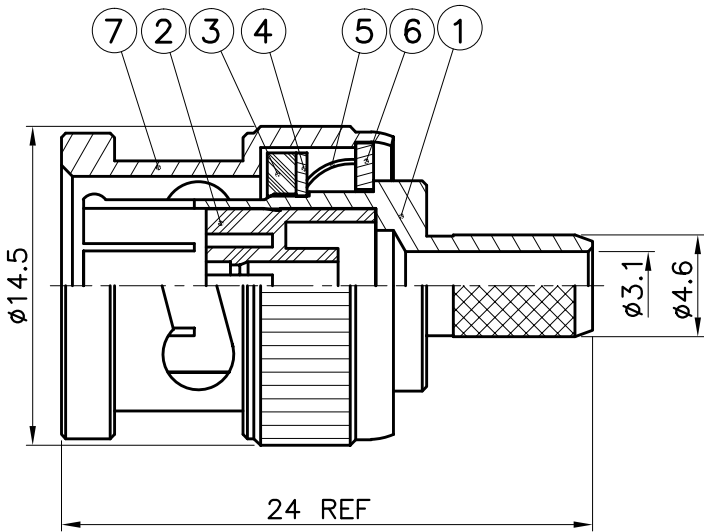
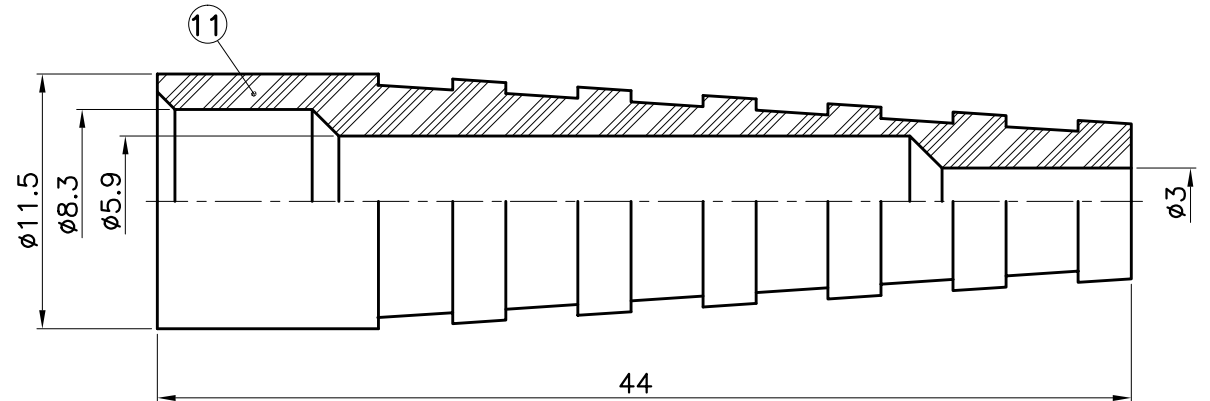
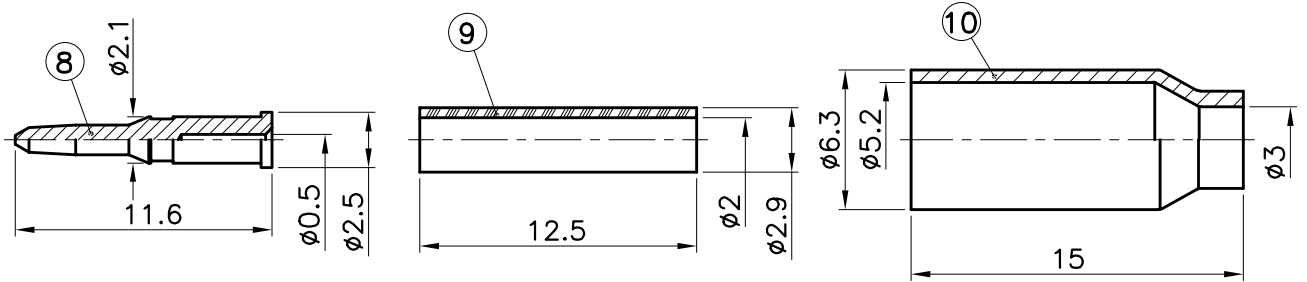


REVISIONS	
ISS	DESCRIPTION \ DATE

RoHS COMPLIANT



RECOMMENDED  
CABLE STRIPPING DIM'S



1. CRIMPED FERRULE  
HEX CRIMP SIZE .213"
2. CRIMPED CONTACT PIN  
HEX CRIMP SIZE .068"

11	BOOT	PVC	BLACK
10	FERRULE	BRASS	NICKEL
9	SPACER	DELTRIN	WHITE
8	CONTACT PIN	BRASS	GOLD
7	SHELL	BRASS	NICKEL
6	WASHER	STEEL	NICKEL
5	SPRING	SK-5	NICKEL
4	C WASHER	STEEL	NICKEL
3	GASKET	PVC	RED
2	INSULATOR	DELTRIN	WHITE
1	BODY	BRASS	NICKEL
NO.	DESCRIPTION	MATERIAL	FINISH

APRD:	UNLESS OTHERWISE SPECIFIED TOLERANCES 0.5-6 = ±0.2 >6-30 = ±0.4 >30-120 = ±0.6 >120-315 = ±1 >315-1000 = ±1.6 ANGLES = ±5°
CHKD:	
DR:	
DATE: 03/02/12"	UNIT: mm
SHEET: .	SCALE: 3/1

TITLE: BNC MALE CRIMP (75 ohms)  
(FOR RG179/U)

PART NO: BNC1-179BT

DR NO:50013-606-A1(B002B179-96+BTBC0174)