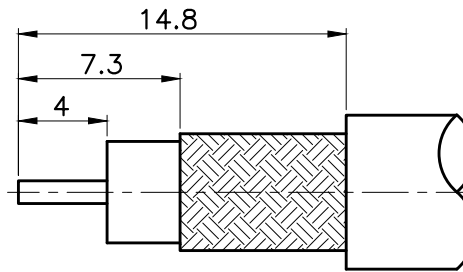
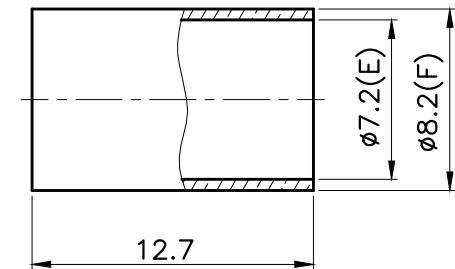
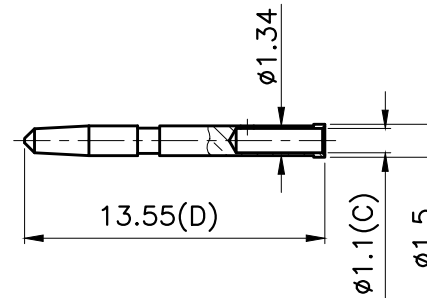
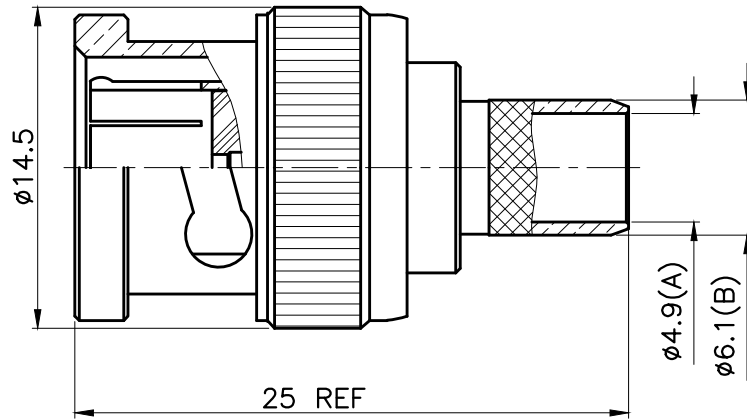


REVISIONS	
ISS	DESCRIPTION\DATE

RoHS COMPLIANT



RECOMMENDED
CABLE STRIPPING DIM'S



1. CRIMPED FERRULE
HEX CRIMP SIZE .278"
2. CRIMPED CONTACT PIN
SQ CRIMP SIZE .042"

- NOTES: FINISH (PLATING THICKNESS IN MICRO-INCHES)
1. BRASS PER QQ-B-626
 2. NICKEL PL 70 MIN THICK OVER COPPER STRIKE
 3. GOLD PL 3 MIN OVER NICKEL PL 70 MIN THICK OVER COPPER STRIKE
 4. TEFLON MIL-P-19468
 5. BRASS JIS H 3250, C 2700



APRD:	UNLESS OTHERWISE SPECIFIED TOLERANCES 0.5-6 = ±0.2 >6-30 = ±0.4 >30-120 = ±0.6 >120-315 = ±1 >315-1000 = ±1.6 ANGLES = ±5°
CHKD:	
DR:	
DATE: 06/01/10"	UNIT: mm
SHEET: .	SCALE: 3/1

FERRULE	NOTE 5	NOTE 2
CONTACT PIN	NOTE 1	NOTE 3
SHELL	NOTE 1	NOTE 2
GASKET	SILICONE	RED
C WASHER	SS41	NOTE 2
SPRING	SK5	NOTE 2
WASHER	SS41	NOTE 2
INSULATOR	NOTE 4	WHITE
BODY	NOTE 1	NOTE 2
NO. DESCRIPTION	MATERIAL	FINISH

TITLE: BNC MALE CRIMP (75 ohms) (FOR BELDEN 1694A)	
PART NO: BNC1-1694	037
DR. NO: 50210-001(B002B1694A-037)	037