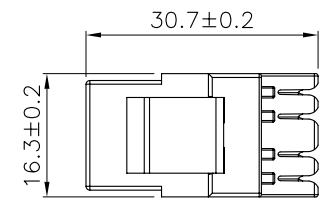
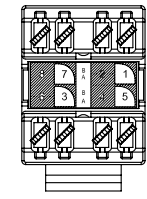
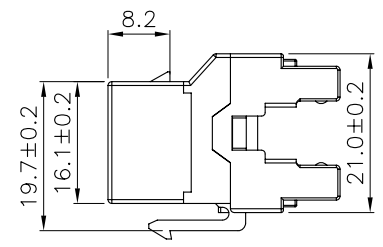
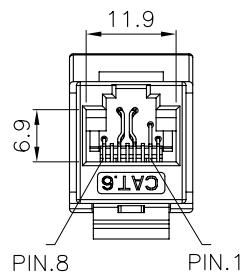
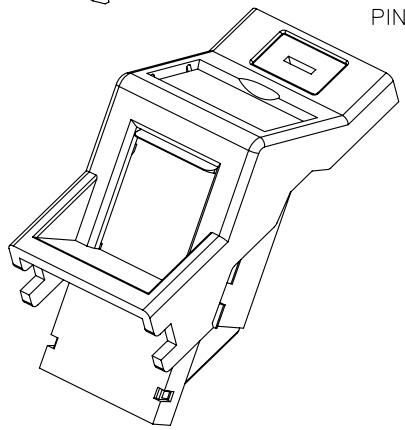


SCALE 1/1



Specification :

Material :

- 1. RJ45 Jack Housing : ABS+PC, UL 94V-0, with optional color.
- 2. Contact Bracket : PC, UL 94V-2, Transparent color.
- 3. RJ45 Jack Contact :
 - 3-1. Material : Phosphor Bronze with Nickel plated
 - 3-2. Finish : 50 micro-inch Gold plated on Plug contact area.
- 4. IDC :
 - 4-1. Housing : PC+Glass Fiber, UL 94V-2
 - 4-2. Terminal : Phosphor Bronze with Tin plated.
- 5. IDC CAP : ABS, UL 94V-0.
- 6. PCB : FR4, UL 94V-0.

Performance :

- a. T568A & T568B wiring sticker.
- b. Insertion force : 20N max. (IEC 60603-7-4)
- c. Retention strength : 7.7 kg between Jack and Plug.
- d. Operating temperature : -10°C to 60°C. (ISO/IEC 11801, ANSI/TIA/EIA 568 B.2)
- e. Life(mating cycles) :
 - *Jack : 750 cycles min. (ISO/IEC 11801, IEC 60603-7-4)
 - *IDC : Suitable for 22-26 AWG stranded and solid wire, compatible with both 110 & Krone punch down tools.
- f. The Cat.6 transmission performance is in compliance with the ANSI/TIA/EIA 568 B.2-1 standard.

	DSGN	Kli	08.FEB.2014	ITEM NO: 72 3700
	CHK	Maer	08.FEB.2014	
	SCALE	APPR	Frank	08.FEB.2014
UNIT	M/M			
DWG NO:	72 3700			

Velocity