

1

2

3

4

5

6

A

A

B

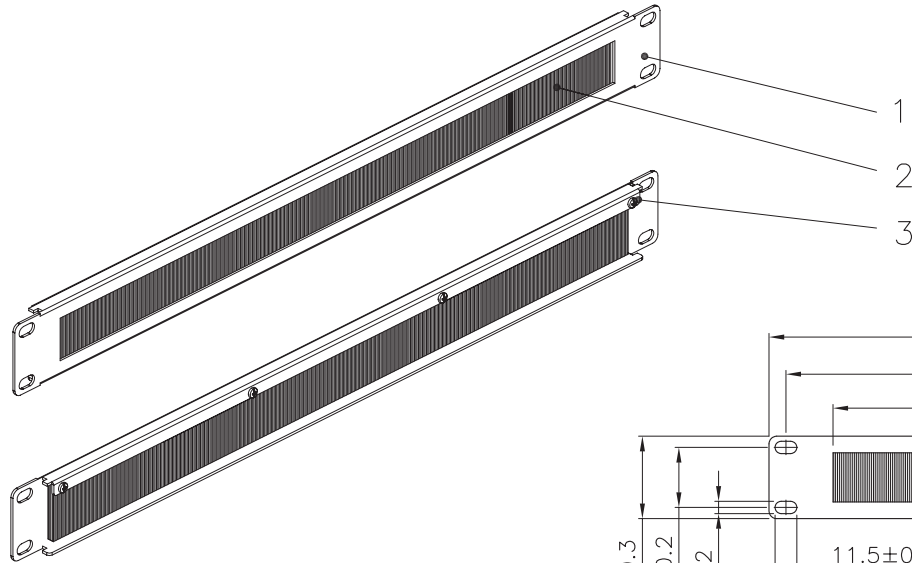
B

C

C

D

D



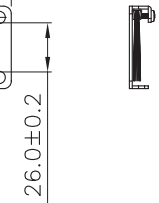
19 Inch(482.6±0.3 mm)

464.8±0.2

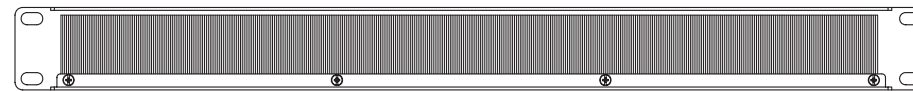
415.0±0.2

43.6±0.3
31.7±0.2
6.5±0.2

11.5±0.2



SCALE 1/4



Specification :

Material :

- 1. Panel : SPCC, 1.5 mm thickness with Black color painted.
- 2. Brush : Hairy got-up mane Brush.
- 3. Screw : M2.7*8.0*6.0mm.

GENERAL TOLERANCE OF DIMENSIONS x.xxx ±0.005 x.xx ±0.05 x.x ±0.1	DRAWING	19.JUN.2008	Ivy	
	CHECK	19.JUN.2008	Maer	
	APPROVAL	19.JUN.2008	Yty	
	DATE		NAME	ITEM NO.: 72 2680
SCALE	1/2 (A4)	UNIT	mm	DES.: \$U Brush Panel W/O Support Bar, Black
		DRAWING NO. JE311B-1U(SA1)		
		DRAWING CLASSIFICATION	SHEET 1 OF 1	

1

2

0

3

4

10cm

5

6