

Technical requirement 技术参数:

1. Electrical Characteristics Test 电气性能检验

- 1.1 Products 100% for electrical test. 成品100%电性测试。
- 1.2 Insulation resistance: No less than 100MΩ of 500V DC/0.4S.
绝缘阻抗: 大于或等于100MΩ 500V DC/0.4S.
- 1.3 Dielectric strength 耐电压

- 1.3.1 Between two conductors 2500⁺²⁰⁰₀V AC for 1.0s Trip-current 1.0mA max.
导体与导体之间2500⁺²⁰⁰₀V AC /1秒,漏电流1.0mA(max)。
- 1.3.2 Between conductor and body 4000⁺²⁰⁰₀V AC for 1.0s Trip current 1.0mA max.
导体与本体之间4000⁺²⁰⁰₀V AC /1秒,漏电流1.0mA(max)。

2. Mechanical Characteristics Test 机械性能检验

- 2.1. Withdrawal force 拔出力
- 2.1.1 For checking each PIN independently from the standard-gauge below 1.5N(Min) Keep for 3S or more.
标准量规对连接器插孔单PIN保持力为最小1.5N保持3秒以上。
- 2.1.2 For checking Integral withdrawal force 50N(MAX) from maximum standard gauge. 标准量规(最大值)检查整体拔出力50N(MAX)。

3. Finished product conditions 成品状态

- 3.1 The attachment plug front show the test mark of " T ".
插头主视面须有测试标志" T "。
- 3.2 The dimension with " ∇ " must be control and inspected importantly.
带" ∇ "尺寸需重点管控和检验。
- 3.3 The dimension with " * " is for safty size .
带" * "尺寸为安规尺寸。
- 3.4 material and product comply with Doc No."QW-Q-043" 《material-and product- of restricted substance control specification.
物料及成品必须符合QW-Q-043 《材料与成品限用物质管理规范》。

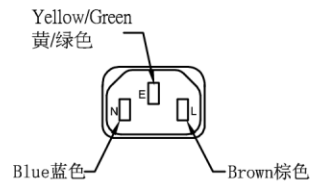
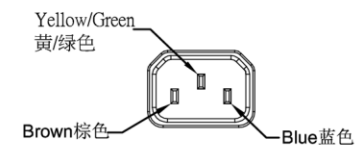
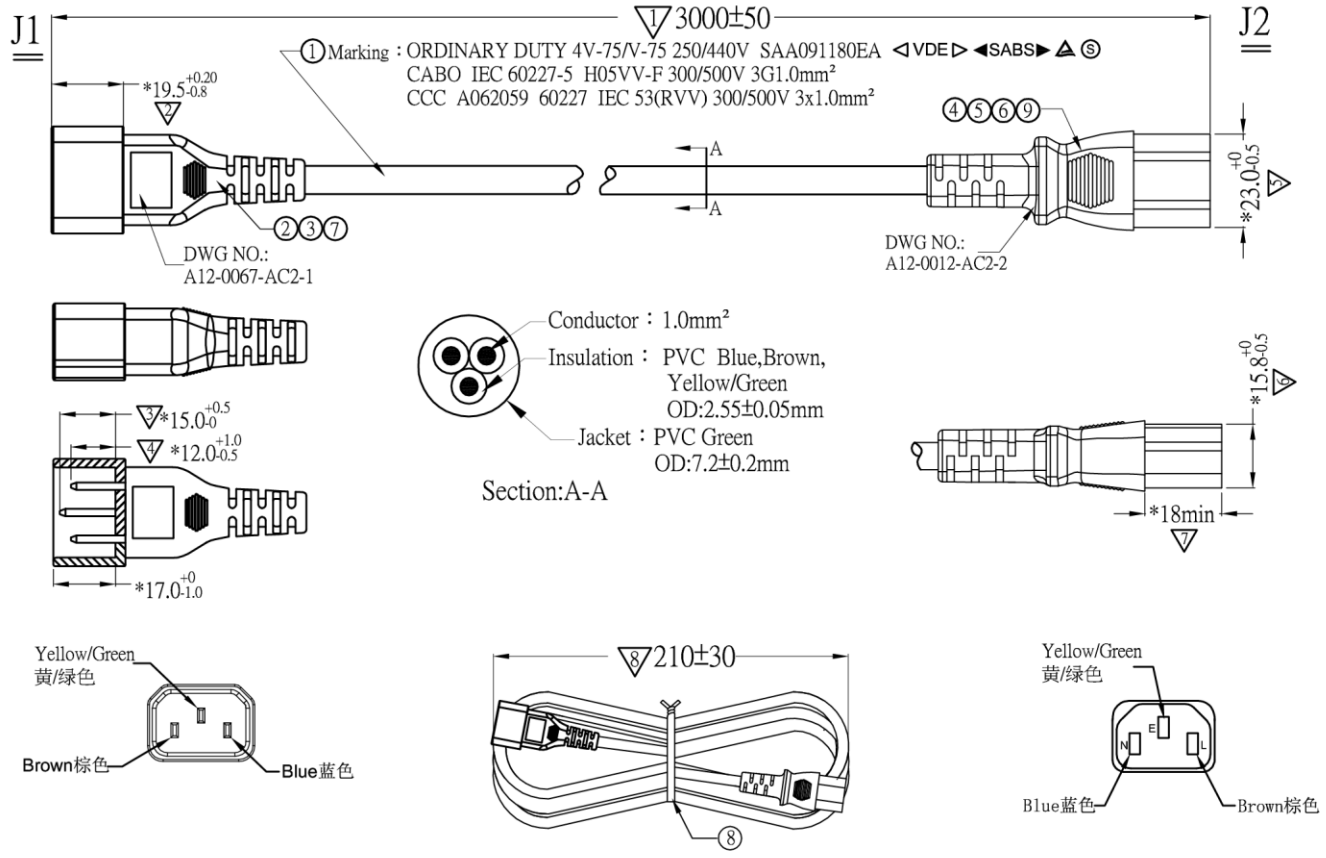
4. Standards 标准

- 4.1 The cord shall comply with IEC 60227. 线材符合 IEC 60227.
- 4.2 The plug and connector shall comply with IEC 60320,
插头和连接器须符合IEC 60320;

Wiring method :

J1	cord	J2
E	Yellow/Green	E
L	Brown	L
N	Blue	N

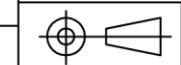
REV.	DESCRIPTION	DESIGN	APPROVAL	DATE
B	ECN17-000001978(Change J2 marking)	Hongmei	XL Deng	2017.02.06
C	Change the customer P/N	DanPeng	XL Deng	2017.07.29
D	ECN19-000004910(小BOM增加45P PVC外模料)	Hongmei	XL Deng	2019.02.15
E	50000131545(remove "S" from CCC mark)	Hongmei Hu	Hongjiang Zhu	2021.07.15



ITEM	NAME	DESCRIPTION	UNIT	QTY
⑨	PLASITC	45P Green PVC pellets meet RoHS and UL94 V-0.	g	
⑧	TIE	BLACK PE tie hanking cord and meet RoHS.	pcs	1
⑦	PLASITC	55P Green PVC pellets meet RoHS and UL94 V-0.	g	
⑥	HOUSING	Down cover of C13, PBT material, white UL94V-0	pcs	1
⑤	HOUSING	Upper cover of C13, PBT material, white UL94V-0	pcs	1
④	TEMRINAL	U type contact terminal with wing for C13 connector,brass;	pcs	3
③	HOLDER	Holder , PBT material, Green.	pcs	1
②	BLADE	Blade 2x4mm, copper,nickel-plated	pcs	3
①	POWER CORD	H05VV-F 3x1.0mm ² ,Green	mm	NA

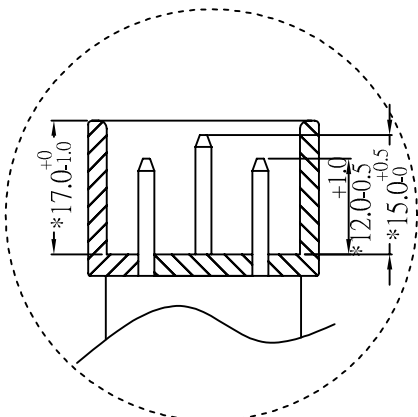
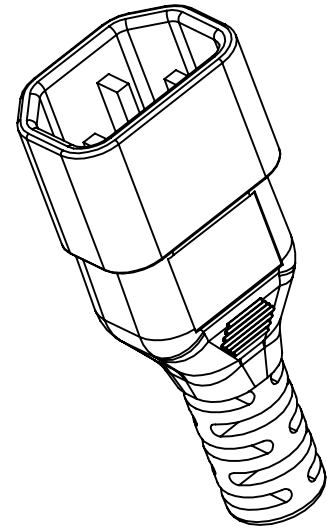
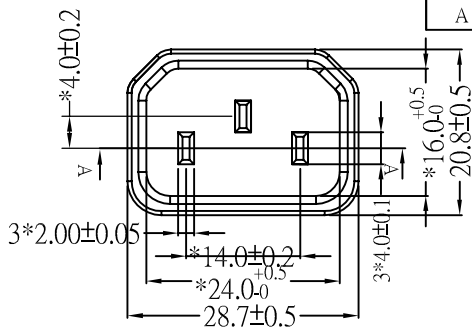
X.±	X.°±	UNITS
.X±	.X°±	mm
.XX±	.XX°±	MATL
.XXX±	.XXX°±	
		FINISH
		Q'TY

P/N:42-2684								
PART NO: L8CAC095-QT-N		TITLE: VDE C14 To C13 L3m pantone 802C Green						
APPD: Hongjiang Zhu		DWG NO: ACRDN16030060-010						
CHKD: Guangren Ouyang		<table border="1"> <tr> <td>SCALE</td> <td>SHEET</td> <td>REV.</td> </tr> <tr> <td>NONE</td> <td>1/1</td> <td>E</td> </tr> </table>	SCALE	SHEET	REV.	NONE	1/1	E
SCALE	SHEET		REV.					
NONE	1/1	E						
DR: Hongmei Hu								

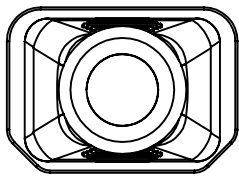
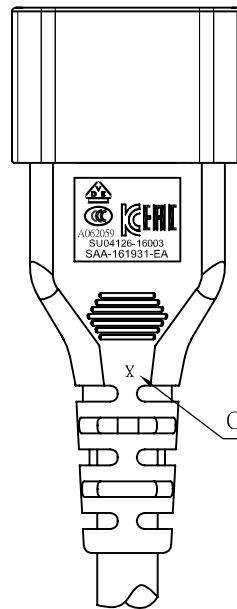
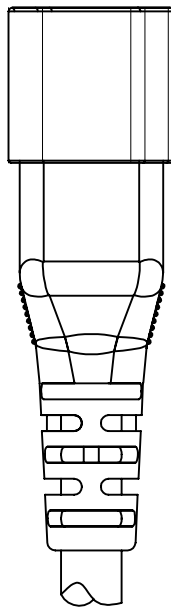
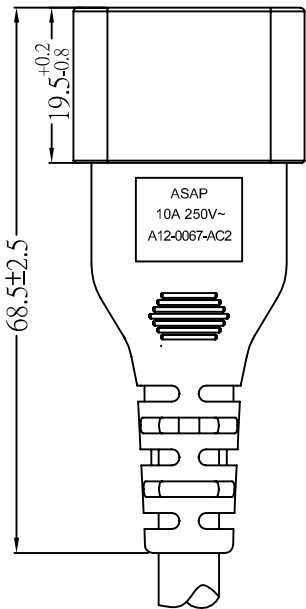
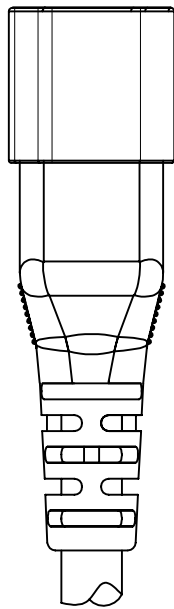


NOTE:
 Technical Requirement: The dimension with " * " is for safety standard.

REV.	DESCRIPTION	DESIGN	APPROVAL	DATE
A	NEW	FG HU	QS LIU	2020.02.15



section A-A



ASAP
 10A 250V~
 A12-0067-AC2

A062059
 SU04126-16003
 SAA-161931-EA

注意变更

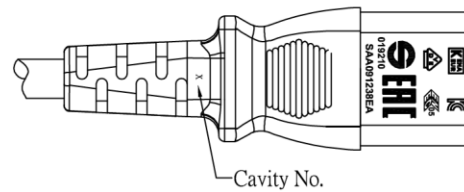
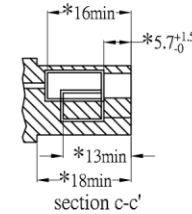
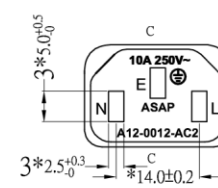
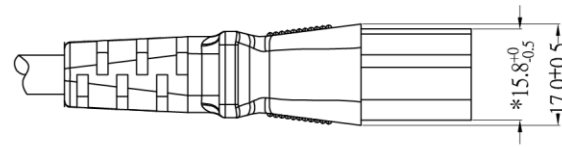
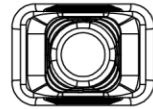
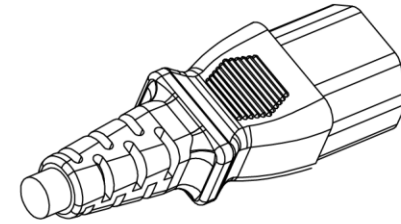
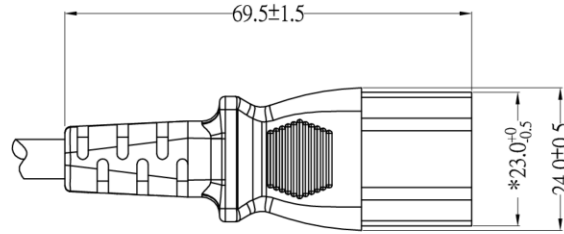
Marking

X. :±0.6	X.° :±1°	DWG TYPE: PRODUCT DRAWING	TITLE: CCC/VDE C14			
.X :±0.4	.X° :±0.6°					
.XX:±0.10	.XX°:±0.3°	MOUID NO: AC-C0067-x	DWG NO: A12-0067-AC2-1			
UNITS	mm	APPD: 朱红江				
		CHKD: 刘秋顺		SCALE	SHEET	REV.
		DRAW: 胡方刚		NONE	1/1	A

1	H05VV-F 3×1.0mm ² Ø7.2mm	Round Cable
NO.	SPECIFICATION	Remark

NOTE:
 Technical Requirement: The dimension with " * " is for safety standard.

REV.	DESCRIPTION	DESIGN	APPROVAL	DATE
A	NEW	JING LIU	QS LIU	2017.9.25



Marking

X. :±0.6	X.° :±1°	DWG TYPE: PRODUCT DRAWING	TITLE: ENEC C13 CONNECTOR 10A 250V~		
.X :±0.4	.X° :±0.6°				
.XX:±0.10	.XX°:±0.3°	MOUID NO: AC-C0012-x	DWG NO: A12-0012-AC2-2		
UNITS	mm	APPD: 欧阳光仁			
		CHKD: 刘秋顺	SCALE	SHEET	REV.
		DRAW: 刘景			

NO.	SPECIFICATION	Remark
1	H05VV-F 3*1.0 OD:7.2	Round Cable