

**Technical requirement 技术参数：**

**1. Electrical Characteristics Test 电气性能检验**

- 1.1 Products 100% for electrical test. 成品100%电性测试。
- 1.2 Insulation resistance: No less than 100MΩ of 500V DC/0.4S .  
绝缘阻抗: 大于或等于100MΩ 500V DC/0.4S.
- 1.3 Dielectric strength 耐电压

- 1.3.1 Between two conductors  $2500^{+200}_0$ V AC for 1.0s Trip-current 1.0mA max.  
导体与导体之间  $2500^{+200}_0$ V AC /1秒, 漏电流 1.0mA(max)。
- 1.3.2 Between conductor and body  $4000^{+200}_0$ V AC for 1.0s Trip current 1.0mA max.  
导体与本体之间  $4000^{+200}_0$ V AC /1秒, 漏电流 1.0mA(max)。

**2. Mechanical Characteristics Test 机械性能检验**

- 2.1. Withdrawal force 拔出力
- 2.1.1 For checking each PIN independently from the standard-gauge below 1.5N(Min) Keep for 3S or more.  
标准量规对连接器插孔单PIN保持力为最小1.5N保持3秒以上。
- 2.1.2 For checking Integral withdrawal force 50N(MAX) from maximum standard gauge. 标准量规(最大值)检查整体拔出力50N(MAX)。

**3. Finished product conditions 成品状态**

- 3.1 The attachment plug front show the test mark of " T " .  
插头主视面须有测试标志" T "。
- 3.2 The dimension with "▽" must be control and inspected importantly. 带"▽"尺寸需重点管控和检验。
- 3.3 material and product comply with Doc No."QW-Q-043" 《material- and product- of restricted substance control specification. 物料及成品必须符合QW-Q-043 《材料与成品限用物质管理规范》。

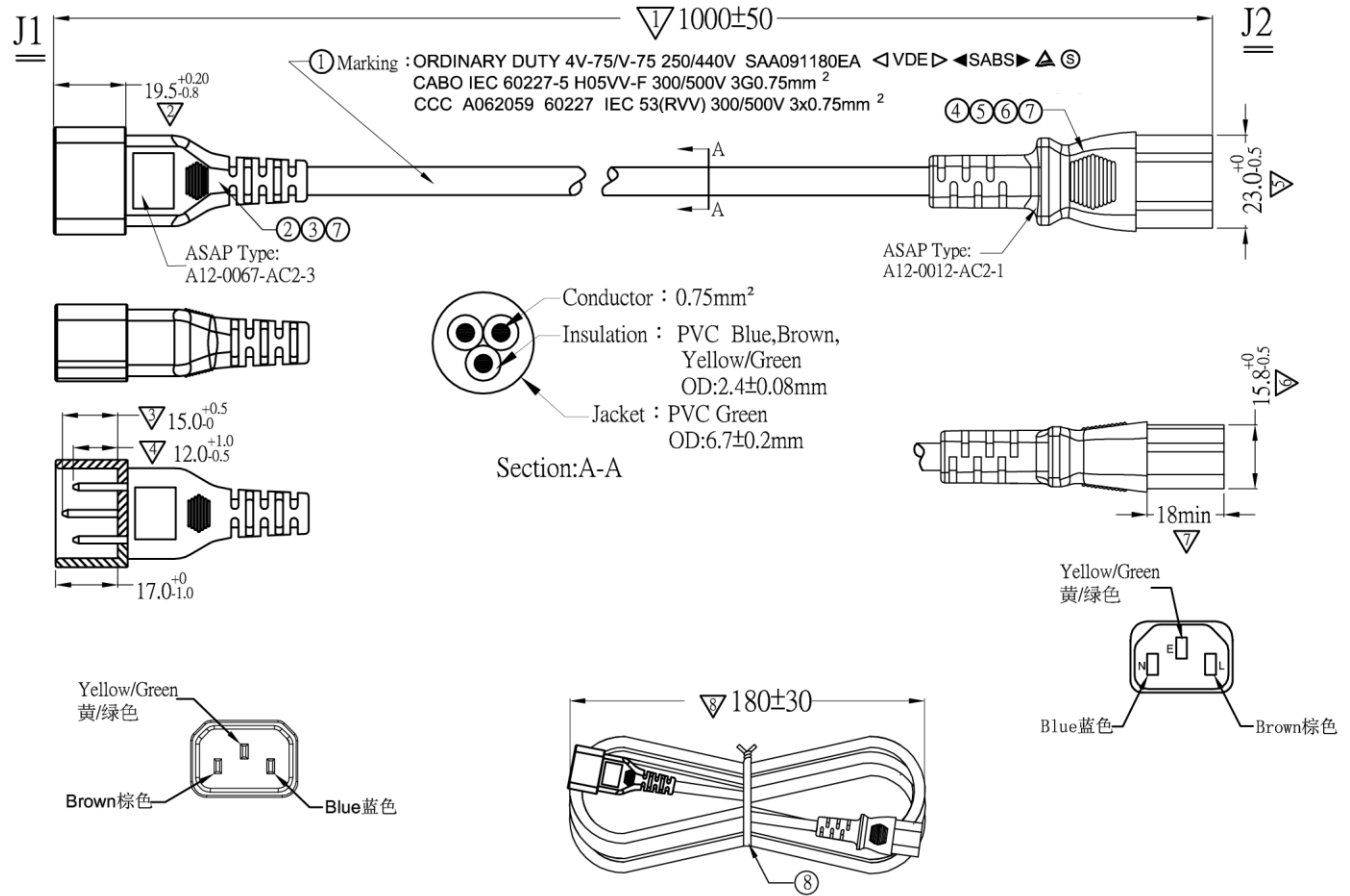
**4. Standards 标准**

- 4.1 The cord shall comply with IEC 60227. 线材符合 IEC 60227.
- 4.2 The plug and connector shall comply with IEC 60320, 插头和连接器须符合 IEC 60320;

**Wiring method :**

J1	cord	J2
E	Yellow/Green	E
L	Brown	L
N	Blue	N

REV.	DESCRIPTION	DESIGN	APPROVAL	DATE
B	ECN17-000001978(Change J2 marking)	Hongmei	XL Deng	2016.02.06
C	Change the customer P/N	DanPeng	XL Deng	2017.07.29
D	500000131545(remove "S" from CCC mark)	Hongmei Hu	Hongjiang Zhu	2021.07.15



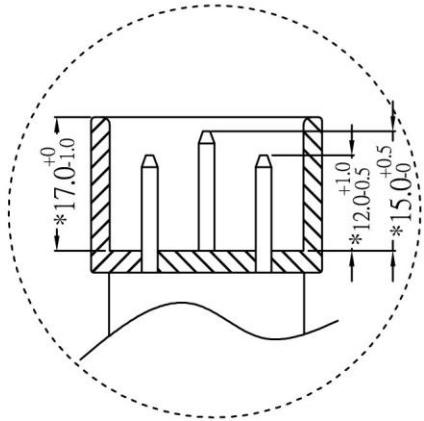
ITEM	NAME	DESCRIPTION	UNIT	Q'TY
⑧	TIE	BLACK PE tie hanking cord and meet RoHS.	pcs	1
⑦	PLASITC	55P Green PVC pellets meet RoHS and UL94 V-0.	g	
⑥	HOUSING	Down cover of C13, PBT material, white UL94V-0	pcs	1
⑤	HOUSING	Upper cover of C13, PBT material, white UL94V-0	pcs	1
④	TEMRINAL	U type contact terminal with wing for C13 connector,brass;	pcs	3
③	HOLDER	Holder , PBT material,Green.	pcs	1
②	BLADE	Blade 2x4mm, copper,nickel-plated	pcs	3
①	POWER CORD	H05VV-F 3x0.75mm <sup>2</sup> , Green	mm	NA

X.±	X.°±	UNITS
.X±	.X°±	mm
.XX±	.XX°±	MATL
.XXX±	.XXX°±	
		FINISH
		Q'TY

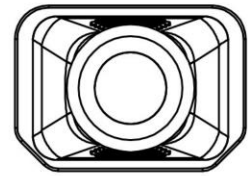
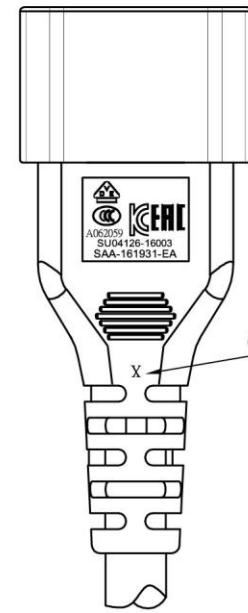
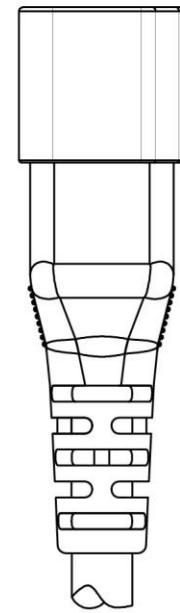
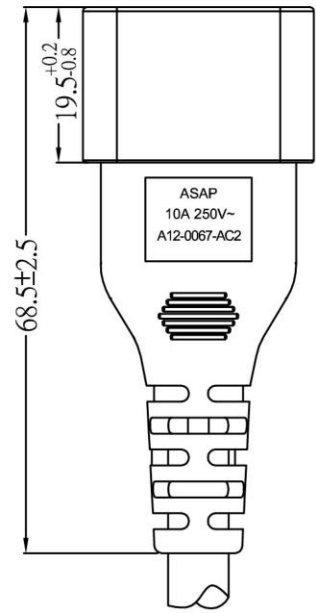
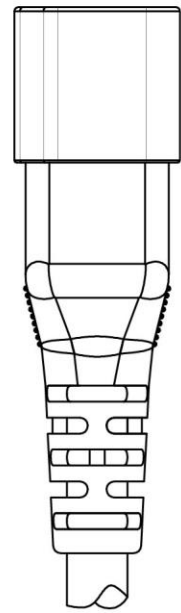
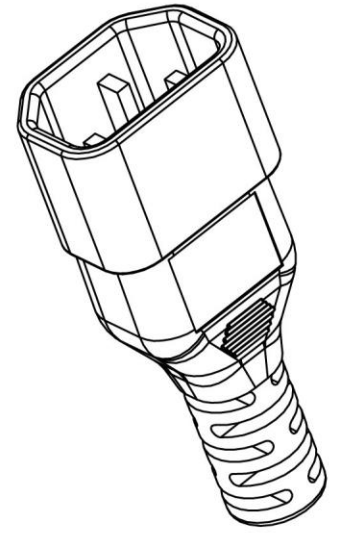
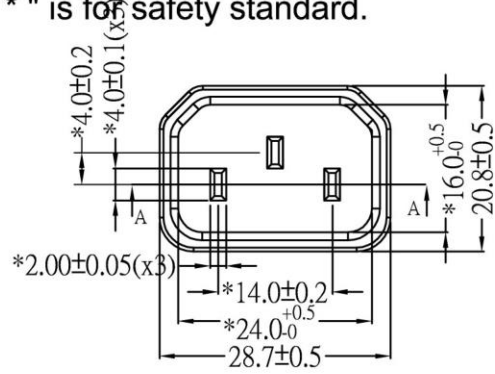
<b>P/N:42-2682</b>								
PART NO: L8CAC093-QT-N		TITLE: VDE C14 To C13 L 1m pantone 802C Green						
APPD: Hongjiang Zhu		DWG NO: ACRDN16030060-008						
CHKD: Guangren Ouyang		<table border="1"> <tr> <th>SCALE</th> <th>SHEET</th> <th>REV.</th> </tr> <tr> <td>NONE</td> <td>1/1</td> <td>D</td> </tr> </table>	SCALE	SHEET	REV.	NONE	1/1	D
SCALE	SHEET		REV.					
NONE	1/1	D						
DR: Hongmei Hu								

NOTE:  
 Technical Requirement: The dimension with " \* " is for safety standard.

REV.	DESCRIPTION	DESIGN	APPROVAL	DATE
A	NEW	FG HU	QS LIU	2020.02.26



section A-A



ASAP  
 10A 250V~  
 A12-0067-AC2



注意变更

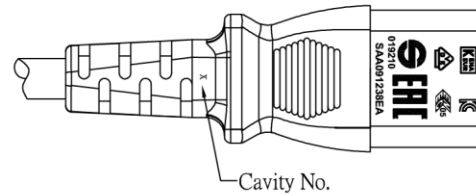
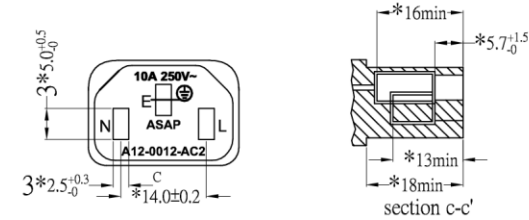
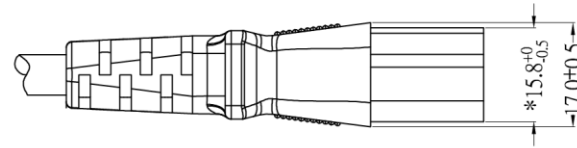
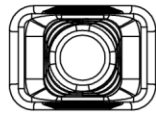
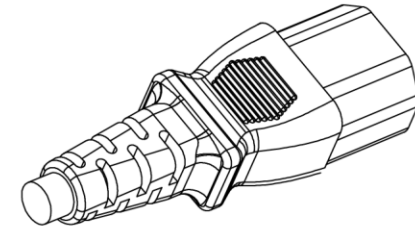
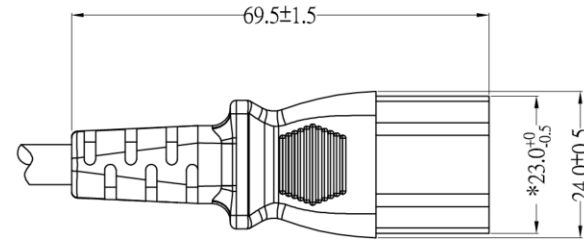
Marking

X. :±0.6	X.° :±1°	DWG TYPE: PRODUCT DRAWING	TITLE: CCC/VDE C14			
.X :±0.4	.X° :±0.6°					
.XX:±0.10	.XX°:±0.3°	MOUID NO: AC-C0067-x	DWG NO: A12-0067-AC2-3			
UNITS	mm	APPD: 欧阳光仁				
		CHKD: 刘秋顺		SCALE	SHEET	REV.
		DRAW: 刘景		NONE	1/1	A

NO.	SPECIFICATION	Remark
1	H05VV-F 3×0.75mm <sup>2</sup> Ø6.7mm	Round Cable

NOTE:  
 Technical Requirement: The dimension with " \* " is for safety standard.

REV.	DESCRIPTION	DESIGN	APPROVAL	DATE
A	NEW	JING LIU	QS LIU	2017.9.25



Marking

X. :±0.6	X.° :±1°	DWG TYPE: PRODUCT DRAWING	TITLE: ENEC C13 CONNECTOR 10A 250V~		
.X :±0.4	.X° :±0.6°				
.XX:±0.10	.XX°:±0.3°	MOUID NO: AC-C0012-x	DWG NO: A12-0012-AC2-1		
UNITS	mm	APPD: 欧阳光仁			
		CHKD: 刘秋顺			
		DRAW: 刘景			
			NONE	1/1	A

NO.	SPECIFICATION	Remark
1	H05VV-F 3*0.75 OD:6.6	Round Cable