

Technical requirement 技术参数：

1. Electrical Characteristics Test 电气性能检验

- 1.1 Products 100% for electrical test. 成品100%电性测试。
- 1.2 Insulation resistance: No less than 100MΩ of 500V DC/0.4S .
绝缘阻抗:大于或等于100MΩ 500V DC/0.4S 。
- 1.3 Dielectric strength 耐电压
 - 1.3.1 Between two conductors 2500^{+200}_0 V AC for 1.0s Trip-current 1.0mA max.
导体与导体之间 2500^{+200}_0 V AC /1秒,漏电流1.0mA(max)。
 - 1.3.2 Between conductor and body 2500^{+200}_0 V AC for 1.0s Trip current 1.0mA max.
导体与本体之间 2500^{+200}_0 V AC /1秒,漏电流1.0mA(max)。

2. Mechanical Characteristics Test 机械性能检验

- 2.1. Withdrawal force 拔出力
 - 2.1.1 For checking each PIN independently from the standard-gauge below 1.5N(Min) Keep for 3S or more.
标准量规对连接器插孔单PIN保持力为最小1.5N保持3秒以上。
 - 2.1.2 For checking Integral withdrawal force 50N(MAX) from maximum standard gauge. 标准量规(最大值)检查整体拔出力50N(MAX)。

3. Finished product conditions 成品状态

- 3.1 The attachment plug front show the test mark of " T ".
插头主视面须有测试标志" T "。
- 3.2 The dimension with " ∇ " must be control and inspected importantly.
带" ∇ "尺寸需重点管控和检验。
- 3.3 The dimension with " * " is required by safety standard.
带" * "尺寸为安规尺寸。
- 3.4 material and product comply with Doc No."QW-Q-043" 《material-and product- of restricted substance control specification.
物料及成品必须符合QW-Q-043 《材料与成品限用物质管理规范》。

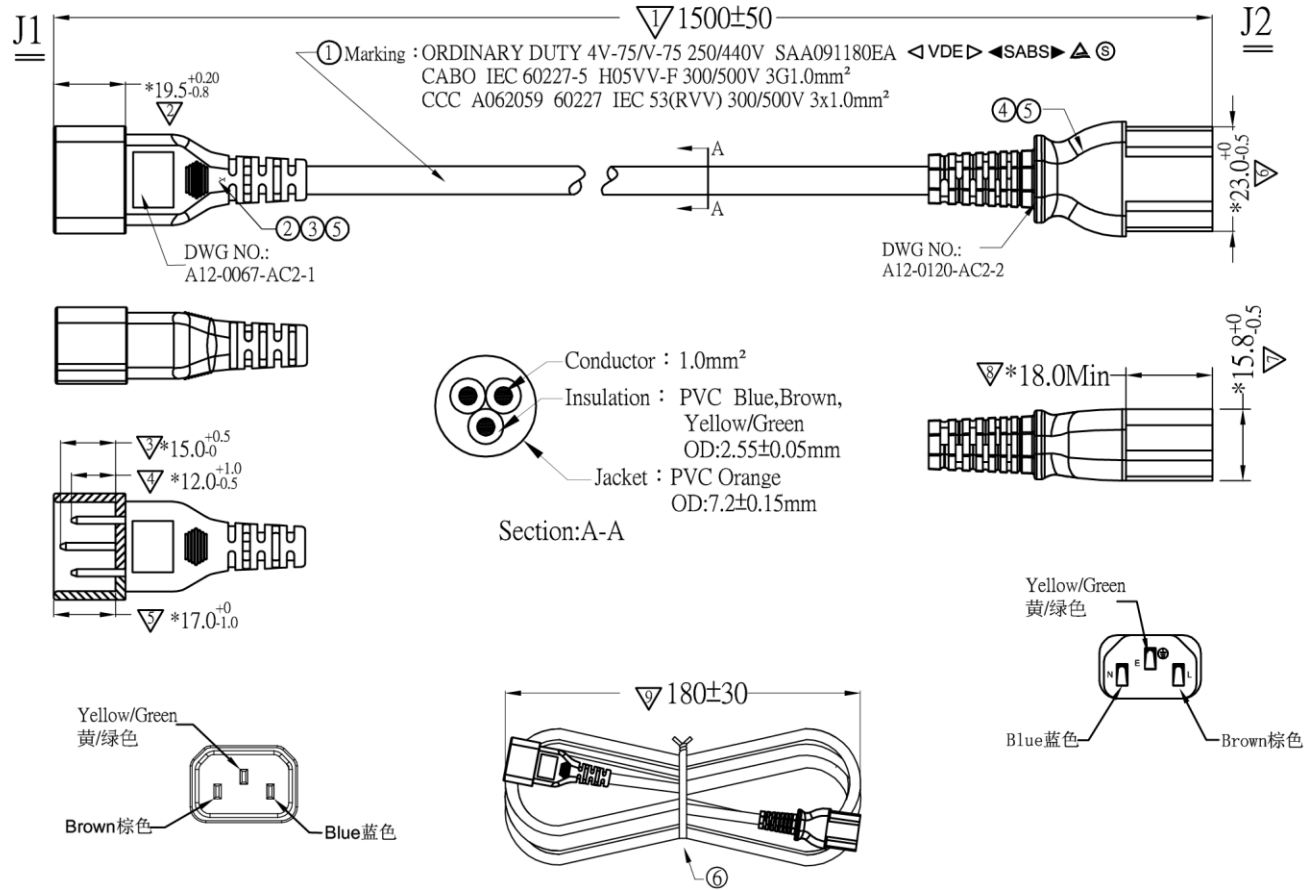
4. Standards 标准

- 4.1 The cord shall comply with IEC 60227. 线材符合 IEC 60227.
- 4.2 The plug and connector shall comply with IEC 60320,
插头和连接器须符合IEC 60320;

Wiring method 接线方式：

J1	cord	J2
E	Yellow/Green 黄/绿色	E
L	Brown 棕色	L
N	Blue 蓝色	N

REV.	DESCRIPTION	DESIGN	APPROVAL	DATE
A	NEW	Hongmei	XL Deng	2017.12.13
B	500000128041(remove "S" from CCC mark)	Hongmei Hu	Hongjiang Zhu	2021.07.03

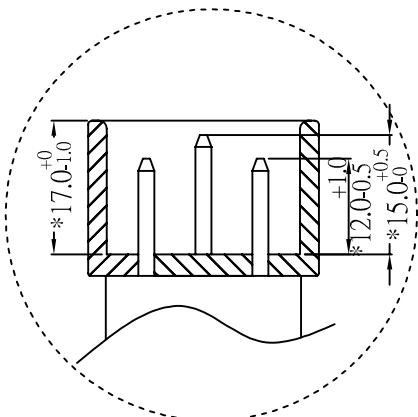
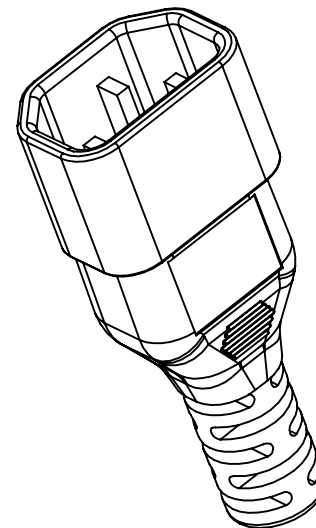
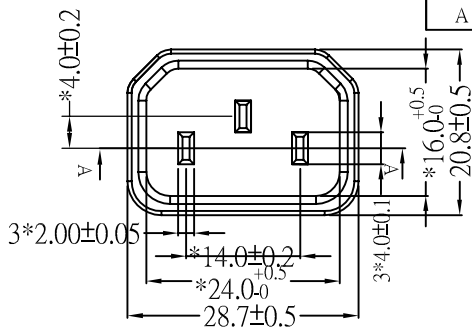


ITEM	NAME	DESCRIPTION	UNIT	Q'TY
⑥	TIE	BLACK PE tie hanking cord and meet RoHS.	pcs	1
⑤	PLASTIC	55P Orange PVC pellets meet RoHS and UL94 V-0.	g	1
④	CONNECTOR	LxWxH=20.7x20.1x12.5 mm, Brass+PBT9230, white, RoHS2.0	pcs	1
③	HOLDER	Holder , PBT material, Orange.	pcs	1
②	BLADE	Blade 2x4mm, copper, nickel-plated	pcs	3
①	POWER CORD	H05VV-F 3x1.0mm² Φ7.2±0.15mm, Orange	mm	NA

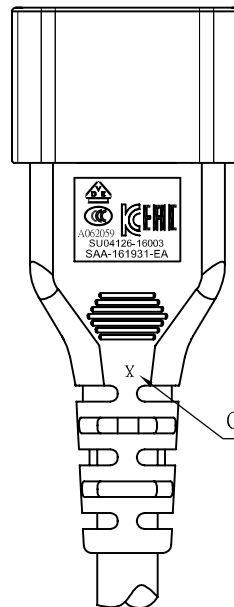
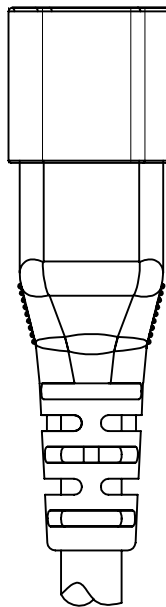
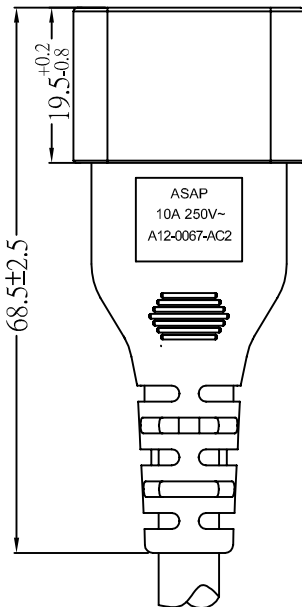
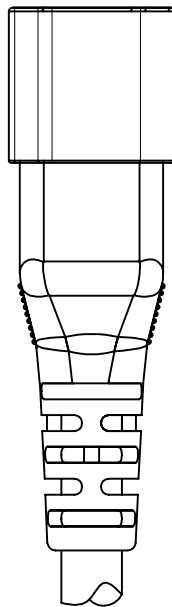
X.±	X.°±	UNITS mm	P/N:42-2672			
.X±	.X°±					
.XX±	.XX°±					
.XXX±	.XXX°±	MATL	PART NO: L8CAC110-QT-R	TITLE: EU C14 TO C13 L1.5m Orange Pantone 164 C		
		FINISH	APPD: Hongjiang Zhu	DWG NO: RDN17120211-003		
		Q'TY	CHKD: Guangren Ouyang			
			DR: Hongmei Hu			

NOTE:
 Technical Requirement: The dimension with " * " is for safety standard.

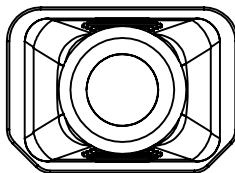
REV.	DESCRIPTION	DESIGN	APPROVAL	DATE
A	NEW	FG HU	QS LIU	2020.02.15



section A-A



Cavity No.



ASAP
 10A 250V~
 A12-0067-AC2

A062059
 SU04126-16003
 SAA-161931-EA

注意变更

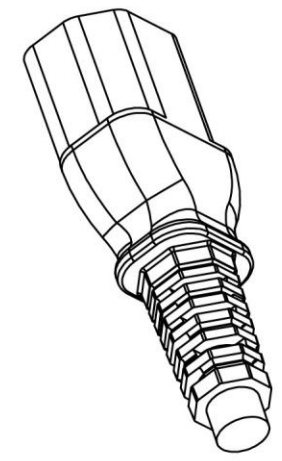
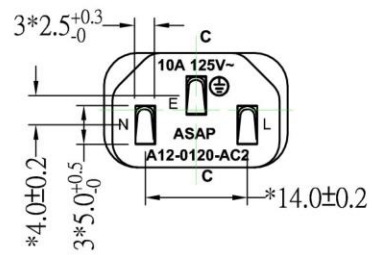
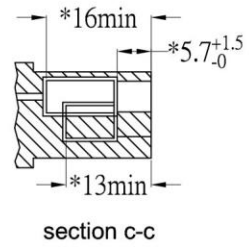
Marking

X. :±0.6	X.° :±1°	DWG TYPE: PRODUCT DRAWING				
.X :±0.4	.X° :±0.6°	MOUID NO: AC-C0067-x	TITLE: CCC/VDE C14			
.XX:±0.10	.XX°:±0.3°	UNITS	mm			
		APPD: 朱红江	DWG NO: A12-0067-AC2-1			
		CHKD: 刘秋顺				
		DRAW: 胡方刚		SCALE	SHEET	REV.
			NONE	1/1	A	

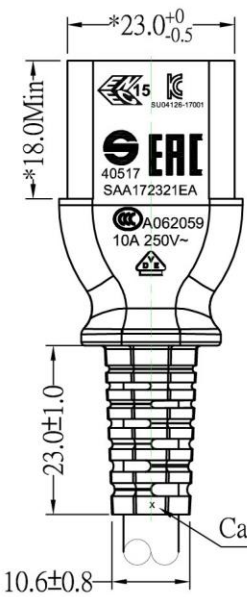
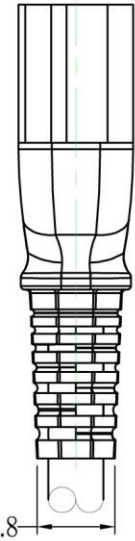
1	H05VV-F 3×1.0mm ² Ø7.2mm	Round Cable
NO.	SPECIFICATION	Remark

NOTE:
 Technical Requirement: The dimension with " * " is for safety standard.

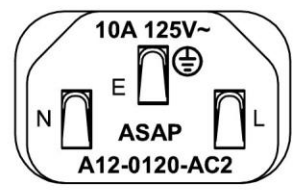
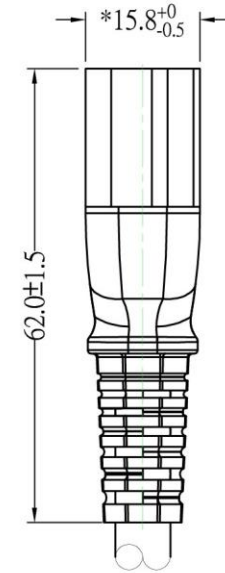
REV.	DESCRIPTION	DESIGN	APPROVAL	DATE
A	NEW	JING LIU	QS LIU	2017.9.27
B	CCC去除"S"标志	FG HU	QS LIU	2020.04.16



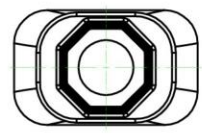
注意变更



Cavity No.



Marking



X. :±0.6	X.° :±1°	DWG TYPE: PRODUCT DRAWING	TITLE: CCC/VDE/UL C13 Connector			
.X :±0.4	.X° :±0.6°					
.XX:±0.10	.XX°:±0.3°	MOUID NO: AC-C0120-x	DWG NO: A12-0120-AC2-2			
UNITS	mm	APPD: 欧阳光仁				
		CHKD: 刘秋顺		SCALE	SHEET	REV.
		DRAW: 胡方刚		NONE	1/1	B

NO.	SPECIFICATION	Remark
1	60227IEC53(RVV) 3X1.0 OD7.2	Round Cable