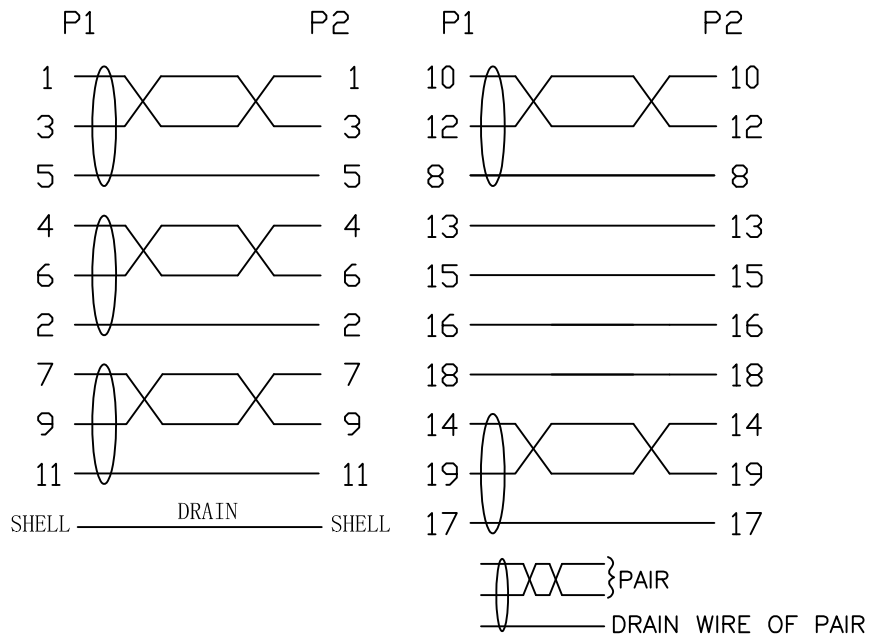


PIN OUT



ITEM	L	T
32 3636	15M	200MM
32 3637	20M	250MM

NOTES:

- 1:100% short,open and miss wire test.
- 2:Insulation resistance:DC300V 10MΩ(Min)
- Conduction resistance 5Ω(Max)

④	OUTER MOLDED	WHITE 45P PVC	0.032	KG
③	INNER MOLDED	LDPE	0.024	KG
②	CONNECTOR	HDMI 19PIN MALE, COPPER FOIL COVERED AND 360 DG SOLDER, THE PIN GOLD PLATED,THE SHELL FOR GOLD PLATING	2	PCS
①	CABLE	∅26AWG 1/0.40BC*1P+1/0.32BC+FAM)*5C+1/0.32BC*4C+D+AL+112/0.12ALMG PVC;OD;8.5 MARKING:High Speed HDMI Cable with Ethernet	L	MM
NO.	MATERIAL	DESCRIPTIONG	QTY.	UNIT

Ltemref	Quantity	Title/Name,designation,material,dimension etc	Article No./Reference		
Designed by ACHY	Checked by HELEN	Approved by - date SEP.23.2014	File name HDMI 1.4 26AWG	Date SEP.23, 2014	Scale FREE
ANGLE:		HDMI 1.4 26AWG			
UNIT:MM		32 3636,32 3637		Edition 1	Sheet 1/1