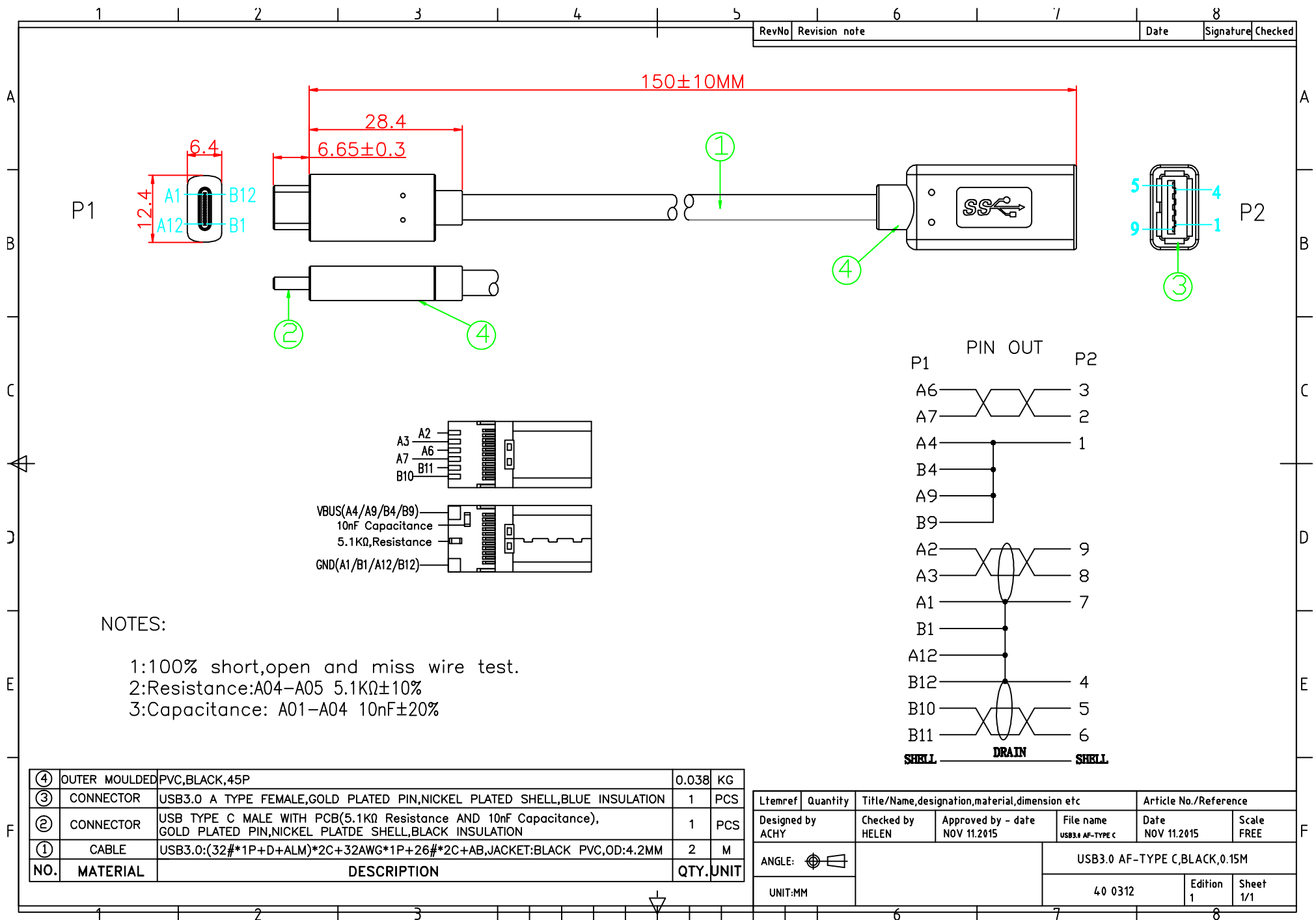
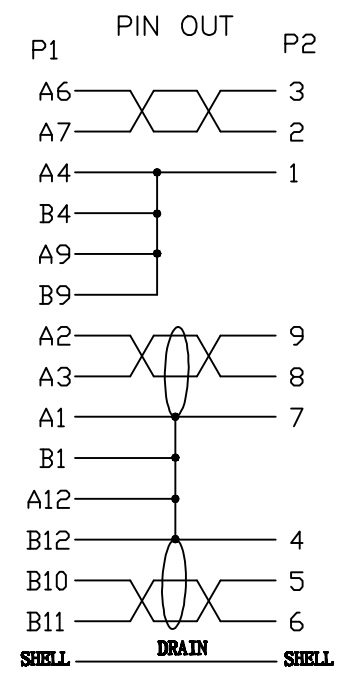
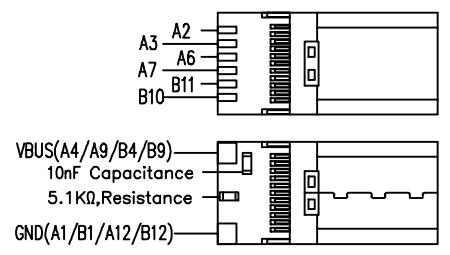


RevNo	Revision note	Date	Signature	Checked
-------	---------------	------	-----------	---------



NOTES:

- 1:100% short,open and miss wire test.
- 2:Resistance:A04-A05 5.1KΩ±10%
- 3:Capacitance: A01-A04 10nF±20%



④	OUTER MOULDED	PVC,BLACK,45P	0.038	KG
③	CONNECTOR	USB3.0 A TYPE FEMALE,GOLD PLATED PIN,NICKEL PLATED SHELL,BLUE INSULATION	1	PCS
②	CONNECTOR	USB TYPE C MALE WITH PCB(5.1KΩ Resistance AND 10nF Capacitance), GOLD PLATED PIN,NICKEL PLATDE SHELL,BLACK INSULATION	1	PCS
①	CABLE	USB3.0:(32#*1P+D+ALM)*2C+32AWG*1P+26#*2C+AB,JACKET:BLACK PVC,OD:4.2MM	2	M
NO.	MATERIAL	DESCRIPTION	QTY.	UNIT

Ltemref	Quantity	Title/Name,designation,material,dimension etc			Article No./Reference	
Designed by ACHY	Checked by HELEN	Approved by - date NOV 11.2015	File name USB3.0 AF-TYPE C	Date NOV 11.2015	Scale FREE	
ANGLE:				USB3.0 AF-TYPE C,BLACK,0.15M		
UNIT:MM				4.0 0312	Edition 1	Sheet 1/1