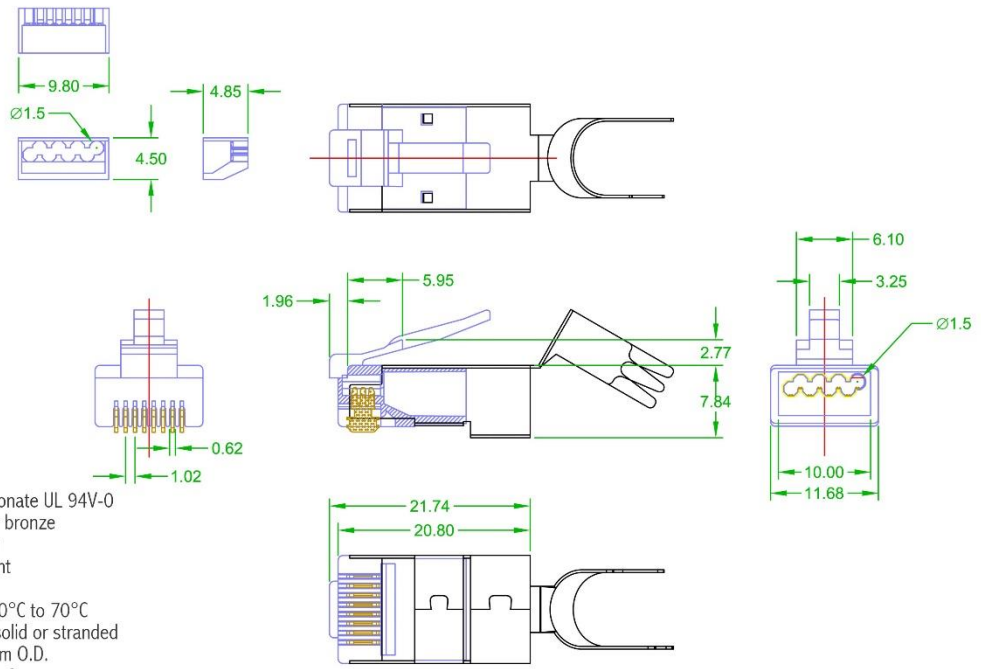


ROHS Compliant



1. Housing Material: Polycarbonate UL 94V-0
2. Material Contact: Phosphor bronze
3. Gold Plating: 50 μ "/1.27 μ m
4. Housing Colour: Transparent
5. Material Shell: Brass
6. Operating Temperature: -40°C to 70°C
7. 3 prong contact blade for solid or stranded
8. For inner cores up to 1.5mm O.D.
9. For overall cable O.D. up to 8mm