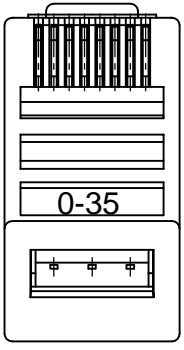
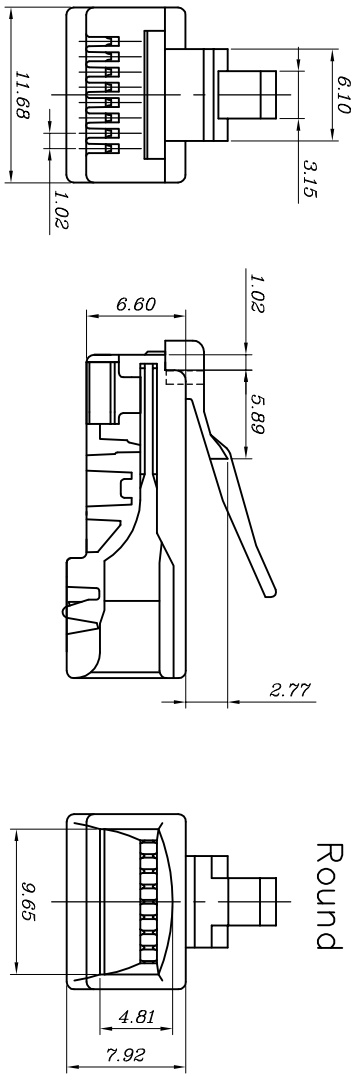


REV	DATE	MODIFICATION	DRAWN
	2011/10/20		

**SPECIFICATIONS**

- 1.ELECTRICAL:  
UL APPLICATIONS: 250 VOLTS AC MAX., AT 2 AMPS.  
DIELECTRIC WITHSTANDING VOLTAGE: 1000 VOLTS AC.  
INSULATION RESISTANCE: 100 M Ω.  
TERMINATION: RESISTANCE 20m Ω MAX AFTER ENVIRONMENTAL TESTING.
- 2.MECHANICAL:  
CABLE-TO-PLUG TENSILE STRENGTH : 20POUND MIN.  
DURABILITY : 200 MATING CYCLES.
3. MATERIAL & FINISH:  
HOUSING: POLYCARBONATE UL 94V-0 OR UL 94V-2.  
COLOR : TRANSPARENT OR OTHER COLOR ARE AVAILABLE.  
CONTACT BLADE: COPPER ALLOY.  
CONDUCTOR : Solid & Stranded . 24AWG, 26 AWG.  
(It can be used for the wire OD fromØ 0.96-Ø1.02)  
GOLD PLATING: 50μ"
- 4.Operation temperature: -40°C ~ 70°C

Round



ITEM: 22 2095

BLADE:	Z
Drawing	
Mark	✓
CABLE TYPE	ROUND
Mark	✓
	FLAT



DIMENSION IN mm (Inch)		MATERIAL		DWG NO.	
TOLERANCE UNLESS OTHERWISE SPECIFIED		PC		PLUG-175	
.X±0.20	.X°±5°	TITLE		22 2095	
.XX±0.10	.XX°±2°	DRAWN		SCALE	
carine	Zach	Cathlyli		2/1	
APPROVAL	CHECKED	PROJ.		SHEET	
		REV		1/1	
				C	

1 2 3 4 5 6 7

1 2 3 4 5 6 7

ST-DR-009A