

FEATURES:

- DB9 Male – Female
- Individually Bagged
- Black PVC Cable
- Fully Moulded
- Available in 2 different lengths



DESCRIPTION:

Cost-effective RS232 Serial DB9 Male – Female extension cable with all lines connected straight through, 1-1, 2-2, 3-3 etc. Used to connect two serial devices with a male and female connector or to simply extend an existing serial cable.

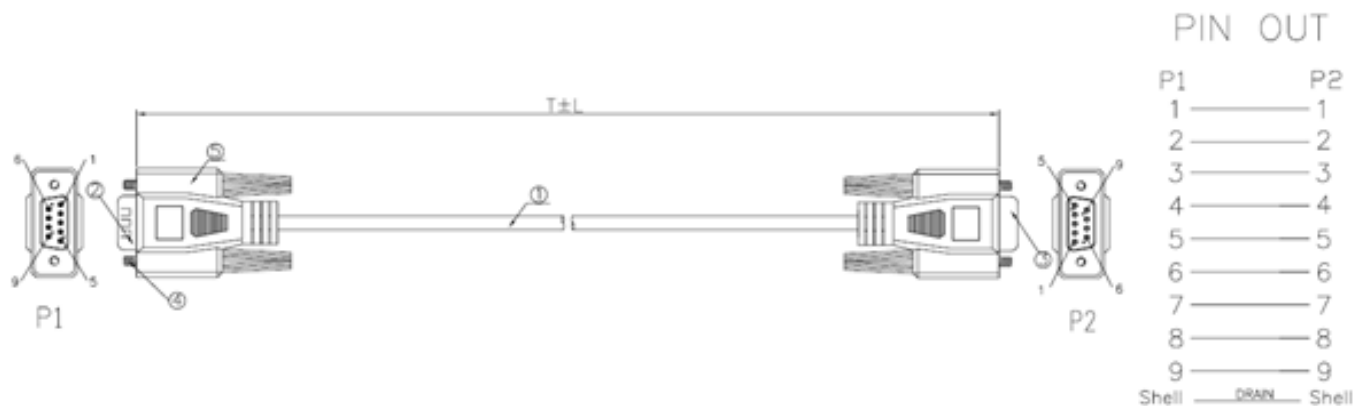
SPECIFICATIONS:

Connector – DB9 Male: Gold Plated Shell with Blue Insulation

Connector – DB9 Female: Gold Plated Shell with Blue Insulation

Jacket – Black PVC, OD:5.0±0.2mm

TECHNICAL DRAWING:



ORDERING INFORMATION:

Part Code	Description
V2-D9MF	2m RS232 Serial DB9 Male – Female Gold All Lines Black PVC Cable
V10-D9MF	10m RS232 Serial DB9 Male – Female Gold All Lines Black PVC Cable