

### DESCRIPTION

Our LC-SC Minizip Singlemode Fibre Optic Patch Leads are used to connect networks over greater distances than Multimode fibre.

The 1.8mm Minizip sheath is a 40% reduction in size from our standard 3.0mm fibre patch leads, which is particularly useful in high density patching scenarios and where cable management is restricted.

All assemblies are fully tested during manufacturing and are supplied with test results.

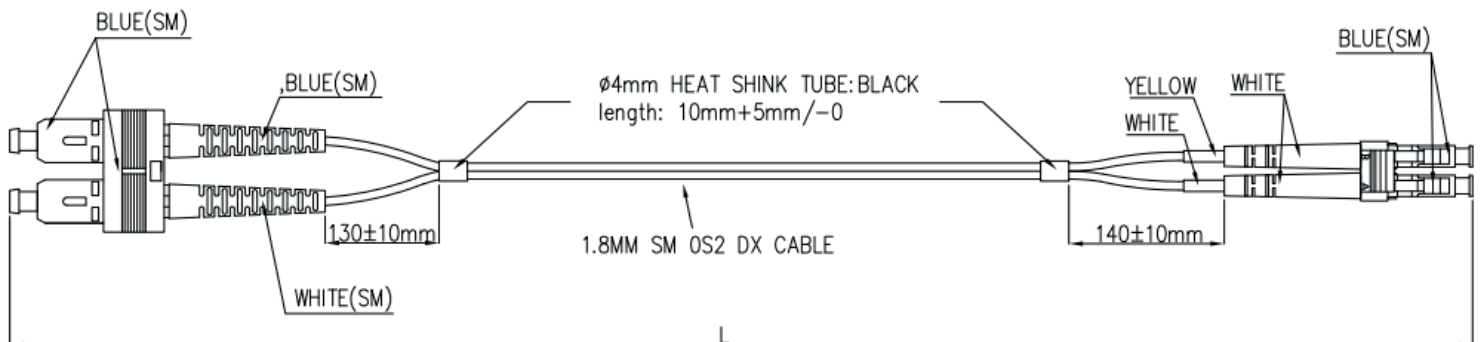
OS2 Minizip Singlemode Fibre Optic Patch Leads are supplied with a strain relief boot and 1.8mm Yellow LSOH cable jacket as standard.

Non-stocked configurations (length, colour, connectors and cable type) can be manufactured to meet specific requirements - PLEASE CONTACT OUR SALES TEAM FOR MORE INFORMATION.

### FEATURES

- OS2 9/125 LC - SC Minizip Fibre Lead
- Duplex Yellow
- Strain Relief Boot
- LSOH Jacket - IEC332-1
- Individually Bagged
- Available in 9 Different Lengths

### TECHNICAL DRAWING



### ORDERING INFORMATION

| Part Code | Description  |
|-----------|--|
| MZ9LCSC05 | 0.5m OS2 9/125 LC-SC Duplex Yellow LSOH 1.8mm Minizip Fibre Patch Lead |
| MZ9LCSC1  | 1m OS2 9/125 LC-SC Duplex Yellow LSOH 1.8mm Minizip Fibre Patch Lead   |
| MZ9LCSC2  | 2m OS2 9/125 LC-SC Duplex Yellow LSOH 1.8mm Minizip Fibre Patch Lead   |
| MZ9LCSC3  | 3m OS2 9/125 LC-SC Duplex Yellow LSOH 1.8mm Minizip Fibre Patch Lead   |
| MZ9LCSC5  | 5m OS2 9/125 LC-SC Duplex Yellow LSOH 1.8mm Minizip Fibre Patch Lead   |
| MZ9LCSC10 | 10m OS2 9/125 LC-SC Duplex Yellow LSOH 1.8mm Minizip Fibre Patch Lead  |
| MZ9LCSC15 | 15m OS2 9/125 LC-SC Duplex Yellow LSOH 1.8mm Minizip Fibre Patch Lead  |
| MZ9LCSC20 | 20m OS2 9/125 LC-SC Duplex Yellow LSOH 1.8mm Minizip Fibre Patch Lead  |
| MZ9LCSC30 | 30m OS2 9/125 LC-SC Duplex Yellow LSOH 1.8mm Minizip Fibre Patch Lead  |