

FEATURES

- OM4 50/125 LC - SC Minizip Fibre Lead
- Duplex Aqua
- Strain Relief Boot
- LSOH Jacket - IEC332-1
- Individually Bagged
- Available in 8 Different Lengths

DESCRIPTION

Our LC-SC OM4 Minizip Multimode Fibre Optic Patch Leads are typically used in 10 Gb/s, 40 Gb/s and 100 Gb/s applications, where the high bandwidth requirements and transmission distances have shown a need for higher performing Multimode system.

The 1.8mm Minizip sheath is a 40% reduction in size from our standard 3.0mm fibre patch leads, which is particularly useful in high density patching scenarios and where cable management is restricted.

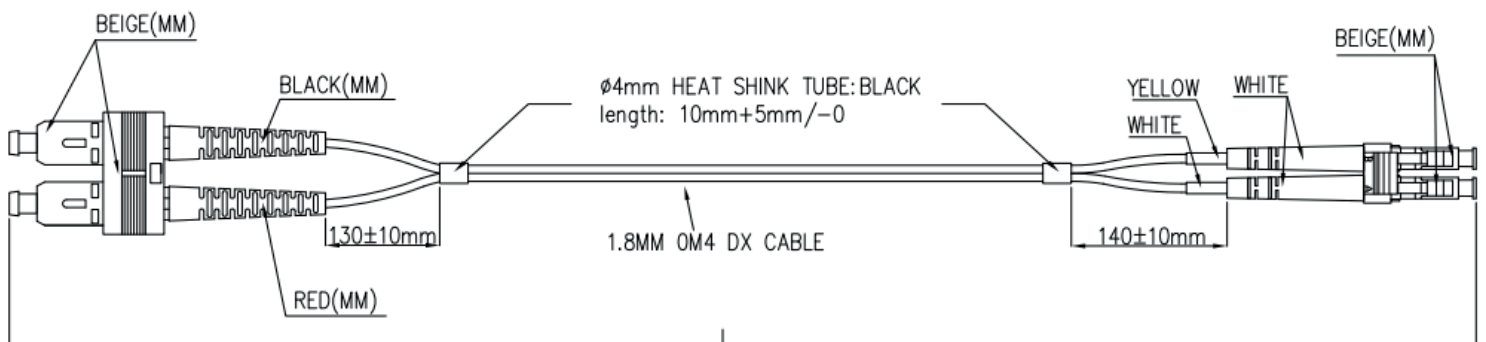
OM4 Minizip Multimode Fibre Optic Patch Leads are backwards compatible with OM3.

All assemblies are fully tested during manufacturing and are supplied with test results.

OM4 Minizip Multimode Fibre Optic Patch Leads are supplied with a strain relief boot and 1.8mm Aqua LSOH cable jacket as standard.

Non-stocked configurations (length, colour, connectors and cable type) can be manufactured to meet specific requirements - PLEASE CONTACT OUR SALES TEAM FOR MORE INFORMATION.

TECHNICAL DRAWING



ORDERING INFORMATION

Part Code	Description
MZ4LCSC05	0.5m OM4 50/125 LC-SC Duplex Aqua LSOH 1.8mm Minizip Fibre Patch Lead
MZ4LCSC1	1m OM4 50/125 LC-SC Duplex Aqua LSOH 1.8mm Minizip Fibre Patch Lead
MZ4LCSC2	2m OM4 50/125 LC-SC Duplex Aqua LSOH 1.8mm Minizip Fibre Patch Lead
MZ4LCSC3	3m OM4 50/125 LC-SC Duplex Aqua LSOH 1.8mm Minizip Fibre Patch Lead
MZ4LCSC5	5m OM4 50/125 LC-SC Duplex Aqua LSOH 1.8mm Minizip Fibre Patch Lead
MZ4LCSC10	10m OM4 50/125 LC-SC Duplex Aqua LSOH 1.8mm Minizip Fibre Patch Lead
MZ4LCSC15	15m OM4 50/125 LC-SC Duplex Aqua LSOH 1.8mm Minizip Fibre Patch Lead
MZ4LCSC20	20m OM4 50/125 LC-SC Duplex Aqua LSOH 1.8mm Minizip Fibre Patch Lead