



FEATURES:

- C14 Connector
- Rewireable
- Standard straight cable entry
- Maximum temperature of 70°C
- 250V
- Black



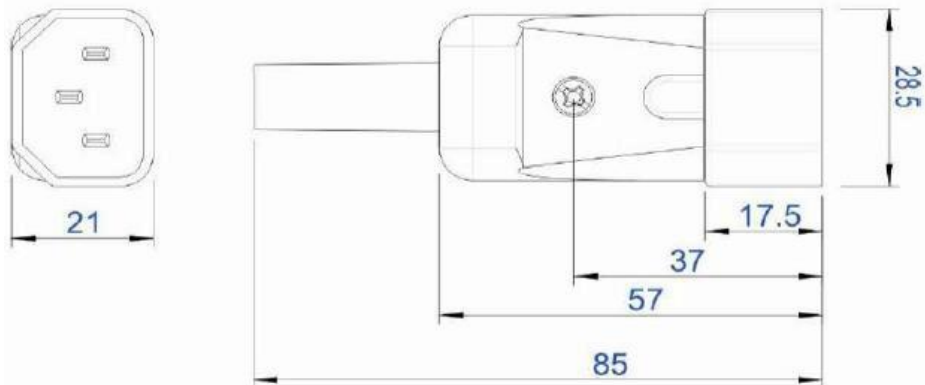
DESCRIPTION:

This Rewireable C14 (10A) IEC connector uses screw terminals to secure the cable in the connector. This connector is used for a supply line of H05VV-F 3 x 0.75mm² and 3 x 1.0mm² Cable, for lengths over 2m, use 3 x 1.0mm².

SPECIFICATIONS:

Connector: C14 (10Amp) DIN EN 60320-2-2

TECHNICAL DRAWING:



Abisolierung / Wire stripping : N L PE
 25 mm 25 mm 40 mm

ORDERING INFORMATION:

Part Code	Description
IECPLUG275HQ	C14 (10Amp) Power Connector (Screw)