

FEATURES:



- DisplayPort 1.2 Female Lead – DisplayPort 1.2 Female Module
- 20cm Lead
- PVC Cable
- Fully Moulded



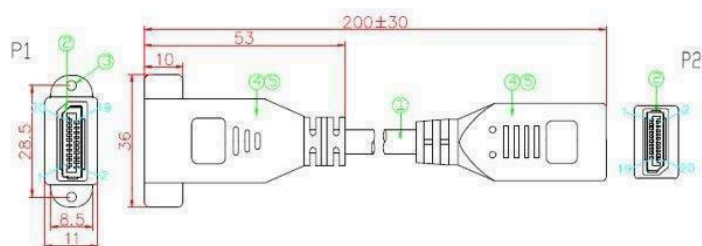
DESCRIPTION:

Connect your DisplayPort equipment into our 25x50mm Euromod Style Female to Female Flying Lead module. Quick and easy to plug and play install, with the through coupler. This tailed DisplayPort coupler helps with space restrictions behind the module. Fits standard UK frames 50x50 and 100x50 modular faceplates. Compatible with 4K 60Hz TV's.

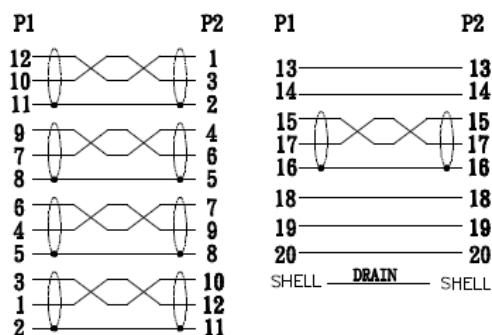
SPECIFICATIONS:

Connector – DisplayPort Female – Nickel Plated Shell with Gold Plated Pin
 OD: 7.3±0.2mm

TECHNICAL DRAWING:



PIN OUT



ORDERING INFORMATION:

Part Code	Description
HCIFP-82	20cm 4K DisplayPort 1.2 Female Lead – 25mm x 50mm DisplayPort Female 1.2 Module