

### FEATURES:

- DB9 Female - Female Gender Changer



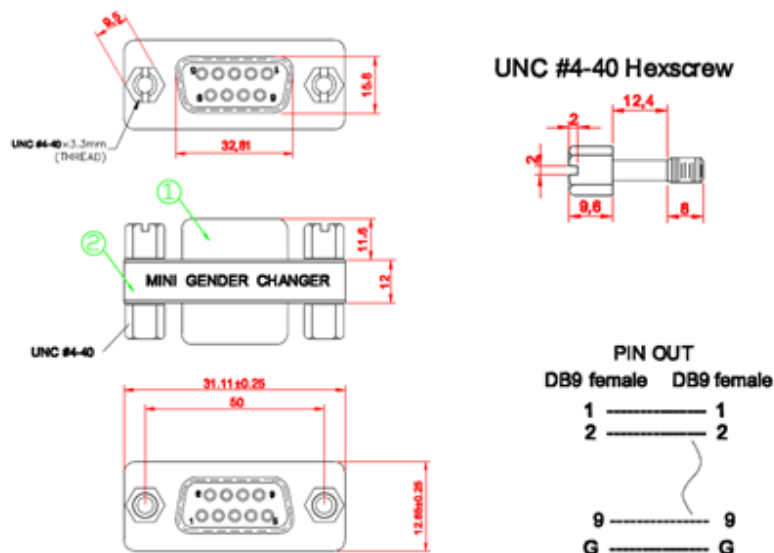
### DESCRIPTION:

This slimline gender changer, RS232 DB9 female to female effectively converts a cable with a RS232 DB9 male connector to a cable with a RS232 DB9 female connector.

### SPECIFICATIONS:

Connector – DB9 Female: Nickel Plated Shell and Blue Insulation

### TECHNICAL DRAWING:



### ORDERING INFORMATION:

Part Code	Description
GENCHAN9FF	RS232 DB9 Female – Female Gender Changer