

EZ-PATH®

FIRE STOPPING GROMMET

Legrand's EZ-Path® grommet provides fire stopping for individual and small bundles of cables through fire rated, solid or partition walls. The device is moulded from premium plenum plastic and incorporates an intumescent foam core, ensuring fire stopping for up to two hours.

Simply place the cables in one side of the grommet then snap together to create a fire stopping solution without the need for sealants, insulated fire sleeves or intumescent putty.

Applications include:

- Digital TV cables within multi-dwelling buildings
- Alarm and security system cables
- Data and fibre optic cables



El 120 fire rating



Fire Alarm
Detection



CCTV
Security



Emergency
Lighting

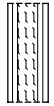
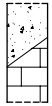



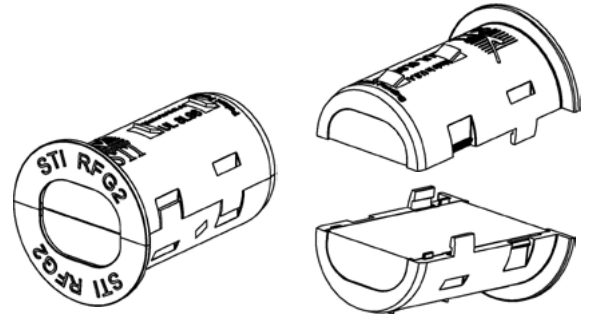
Satellite
TV

 **legrand®**

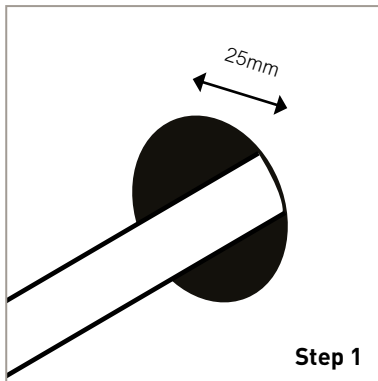
EZ-Path

fire stopping grommet

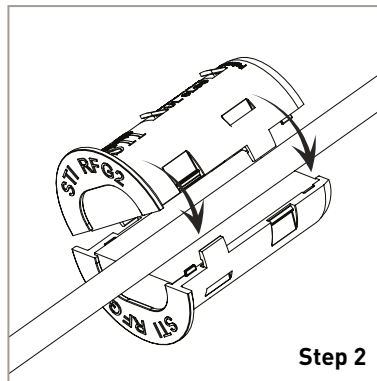
Standard certification			Fire resistance classification	
			Flexible wall	Rigid wall
Fire resistance : EN 1366-3			≥ 100 mm	≥ 100 mm
Classification : EN 13501-2				
EZ-Path grommet	Cat. Nos.	Ø cables (mm)		
	1 x CM350705 (1 x RFG2)	OD ≤ Ø 14	EI120	EI120



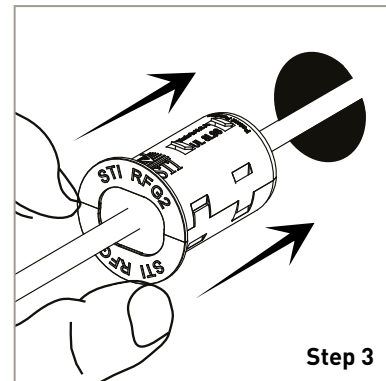
Installation instructions



Drill a 25mm diameter hole



Clip the two halves of the grommet together around the cable(s)



Push the sealed grommet firmly into the drilled hole

- CM350705 EZ-Path Fire Stop Grommet 25mm (Individual)
- CM350705-10 EZ-Path Fire Stop Grommet 25mm (Pack of 10)
- CM350705-100 EZ-Path Fire Stop Grommet 25mm (Pack of 100)