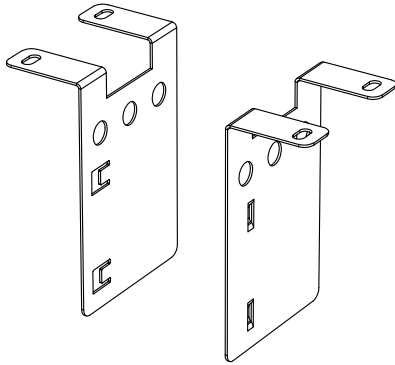
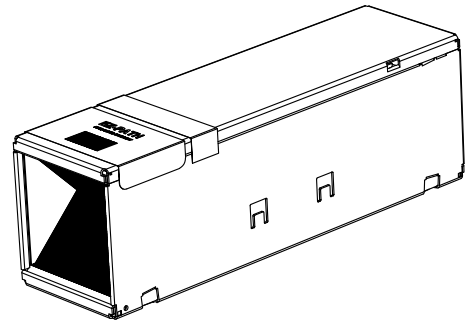


CM350703
EZP144MBE



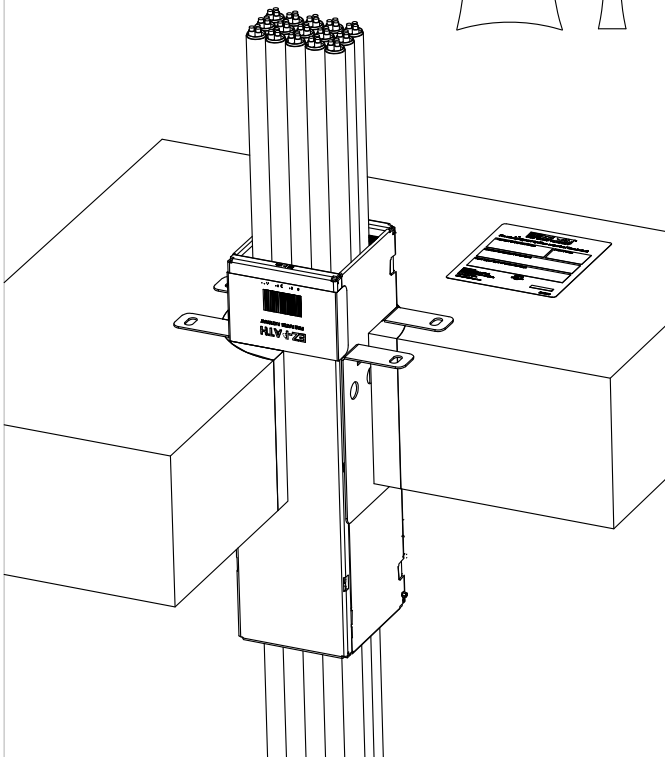
Please refer to CM350703 Application Sheet and Installation Sheet

CM250058
EZD44T



To be ordered separately

CM350703 + CM250058
EZP144MBE + EZD44T



Ordering information



CM350703



0.50



1

Applications

For all types of cables up to Ø21mm OD
Rigid floors

Performance

Fire resistance : EN1366-3
Classification : EN13501-2

Firestop handling

No handling required for the fire safety compliance

Dimensions

Bracket width : 57 mm
Opening dimensions : Ø155 mm