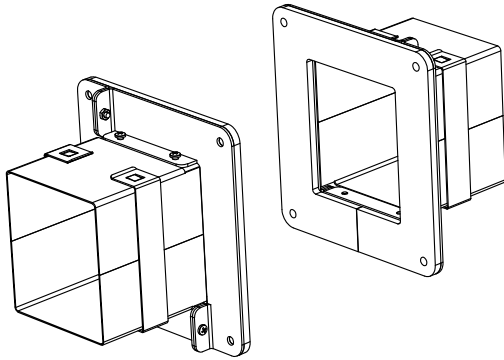
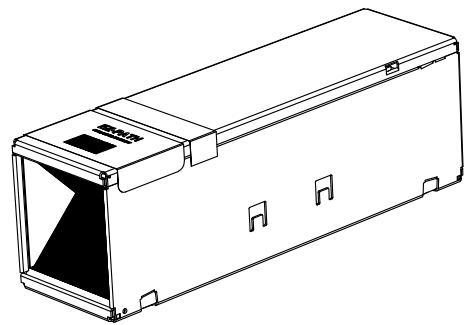


CM350701
EZP144RSE



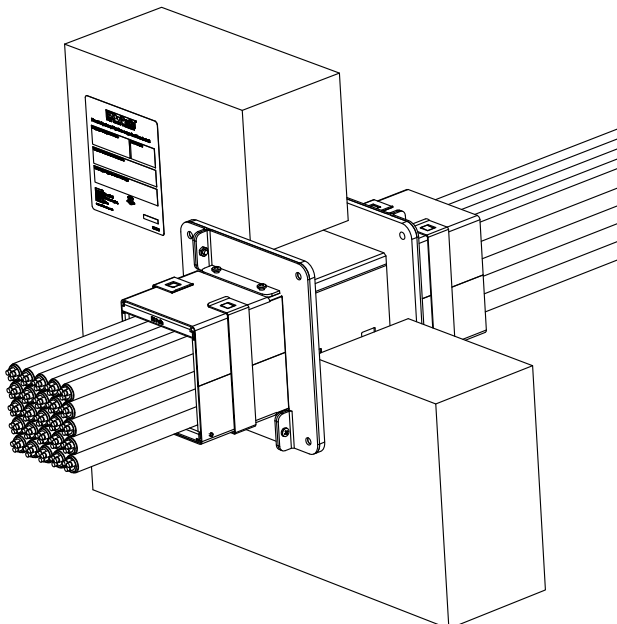
Please refer to CM350701 Application Sheet and Installation Sheet

CM250058
EZD44T



To be ordered separately

CM350701 + CM250058
EZP144RSE + EZD44T



Ordering information



CM350701



1.60



1

Applications

For all types of cables up to Ø21mm OD
Flexible walls and rigid walls

Performance

Fire resistance : EN1366-3
Classification : EN13501-2

Firestop handling

No handling required for the fire safety compliance

Dimensions

Plate dimensions : 191 x 178 mm
Opening dimensions : 118 x 105 mm or Ø155 mm