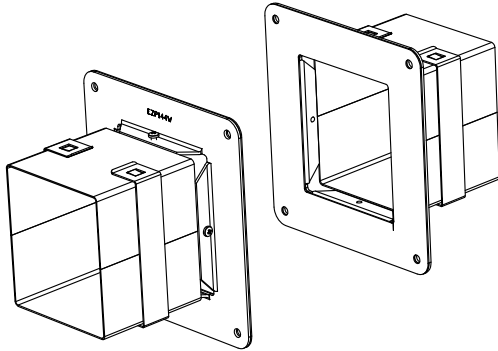
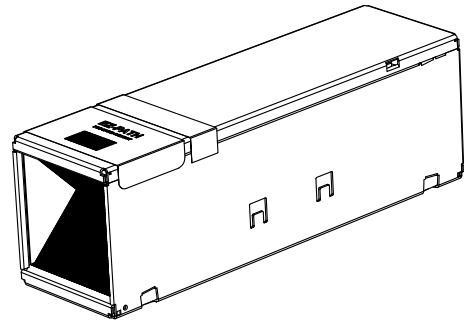


**CM350700**  
EZP144WE



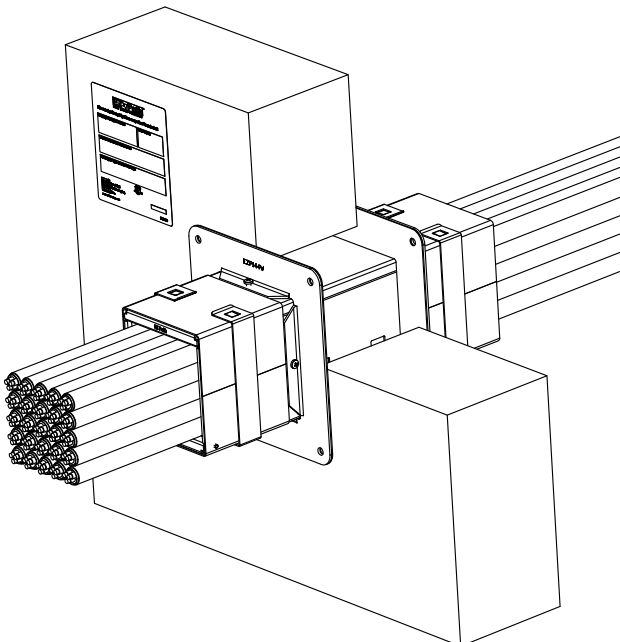
Please refer to CM350700 Application Sheet and Installation Sheet

**CM250058**  
EZD44T



To be ordered separately

**CM350700 + CM250058**  
EZP144WE + EZD44T



Ordering information



CM350700



1.40



1

Applications

For all types of cables up to Ø21mm OD  
Flexible walls and rigid walls

Performance

Fire resistance : EN1366-3  
Classification : EN13501-2

Firestop handling

No handling required for the fire safety compliance

Dimensions

Plate dimensions : 191 x 178 mm  
Opening dimensions : 118 x 105 mm or Ø155 mm