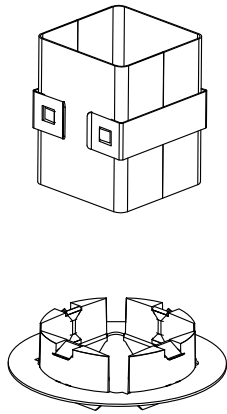
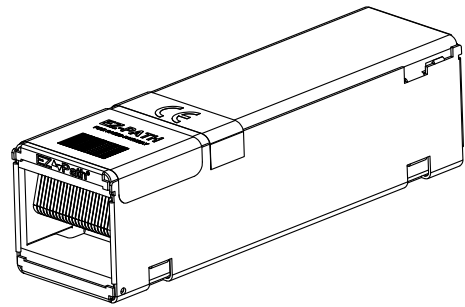


CM250220
EZP133KT



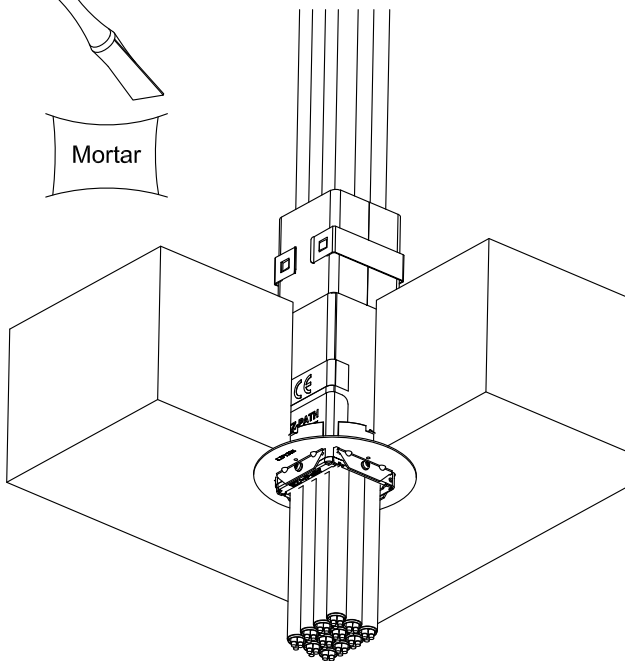
Please refer to **CM250220** Application Sheet and Installation Sheet

CM250018
EZD33T



To be ordered separately

CM250220 + CM250018
EZP133KT + EZD33T



Ordering information



CM250220



0.30



1

Applications

For all types of cables up to Ø21 mm OD
Flexible walls and rigid walls

Performance

Fire resistance : EN1366-3
Classification : EN13501-2
European Technical Assessment ETA – 13/0993

Firestop handling

No handling required for the fire safety compliance

Dimensions

Plate dimensions : Ø140 mm
Opening dimensions : Ø102 mm