

EZ-Path® is the only fire-rated cable management system with no firestop handling

CM250120 /
EZP233WT

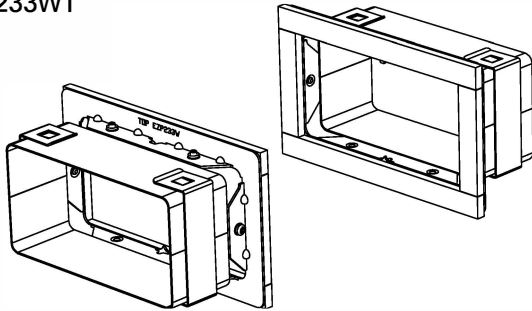
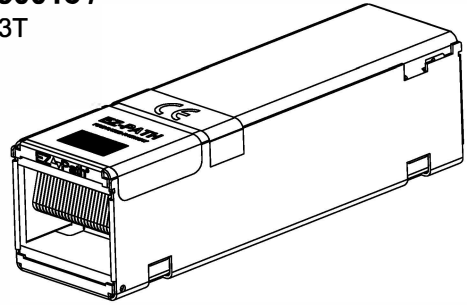


Plate dimensions : 185 x 109 mm

Please refer to CM250120 Application Sheet and Installation Sheet

CM250018 /
EZD33T
2x

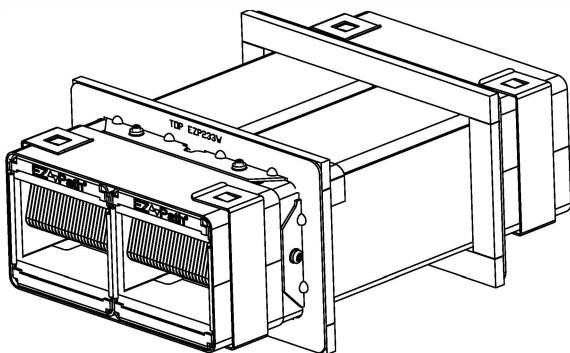


Device dimensions : 76 x 76 x 267 mm

Please refer to CM250018 Technical Data Sheet

To be ordered separately

CM250120 + CM250018
EZP233WT + EZD33T



Opening dimensions : 155 x 81 mm

Fire rated by design / Self-sealing system

No firestop handling required for cable changes

Fire safety compliant all the time

Applications

For all types of cables up to Ø50mm OD

Flexible and rigid walls

To be used in combination with CM250018 (EZD33T)

Performance

Fire resistance : EN1366-3

Classification : EN13501-2 up to EI120

European Technical Assessment ETA 18/0412

Halogen free in accordance to IEC 61249-2-21

Ordering information



CM250120



0.5



1