



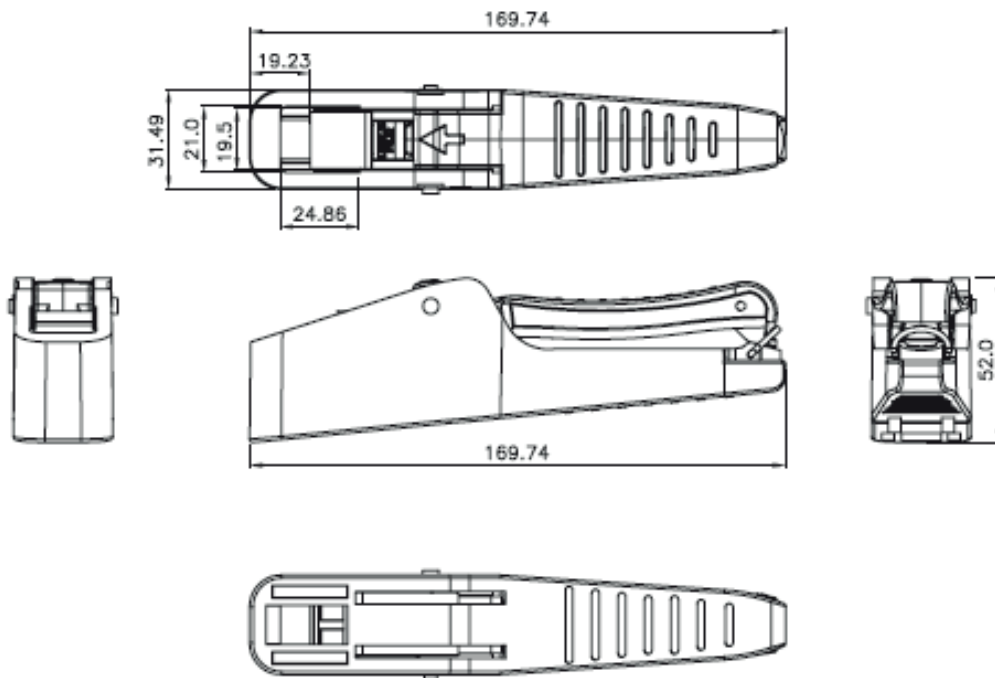
FEATURES

- Easy Plug Crimping Tool
- For use with Cat6a Field Termination Plugs

DESCRIPTION

Dedicated Termination Tool to be used with the Cat6a Field Termination Plugs

TECHNICAL DRAWING



ORDERING INFORMATION

Part Code	Description
87-2804	Crimping Tool for Cat6a Field Termination Plug