



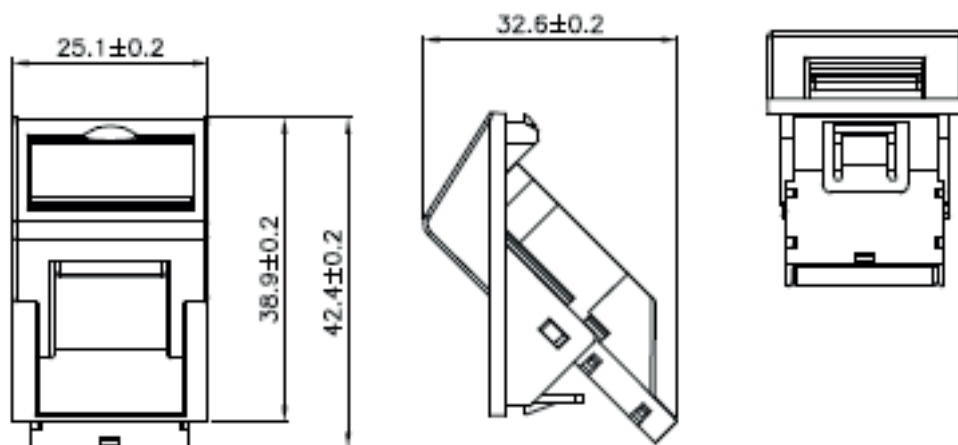
## DESCRIPTION

The LJ6C Angled Adaptor for Keystone Jacks is part of the mounting hardware family. All adaptors come with a labelling window for easy outlet identification and a spring-loaded shutter to protect the connections in the jack from dust. The angled shutter helps to reduce the depth required in back boxes and floor boxes, thus providing improved cable management.

## FEATURES

- LJ6C Angled Shutter for Keystone Jack
- Spring Loaded Shutter
- Labelling Window
- Available in Black & White
- Sold Individually

## TECHNICAL DRAWING



## ORDERING INFORMATION

Part Code	Description
72-3756	LJ6C Angled Shutter for Keystone Jack White
72-3757	LJ6C Angled Shutter for Keystone Jack Black