



FEATURES

- Cat6 UTP Angled Module
- 25mm x 50mm
- Spring Loaded Shutter
- Supports up to 10G Ethernet
- Protected Labelling Facility
- Only Available in White

DESCRIPTION

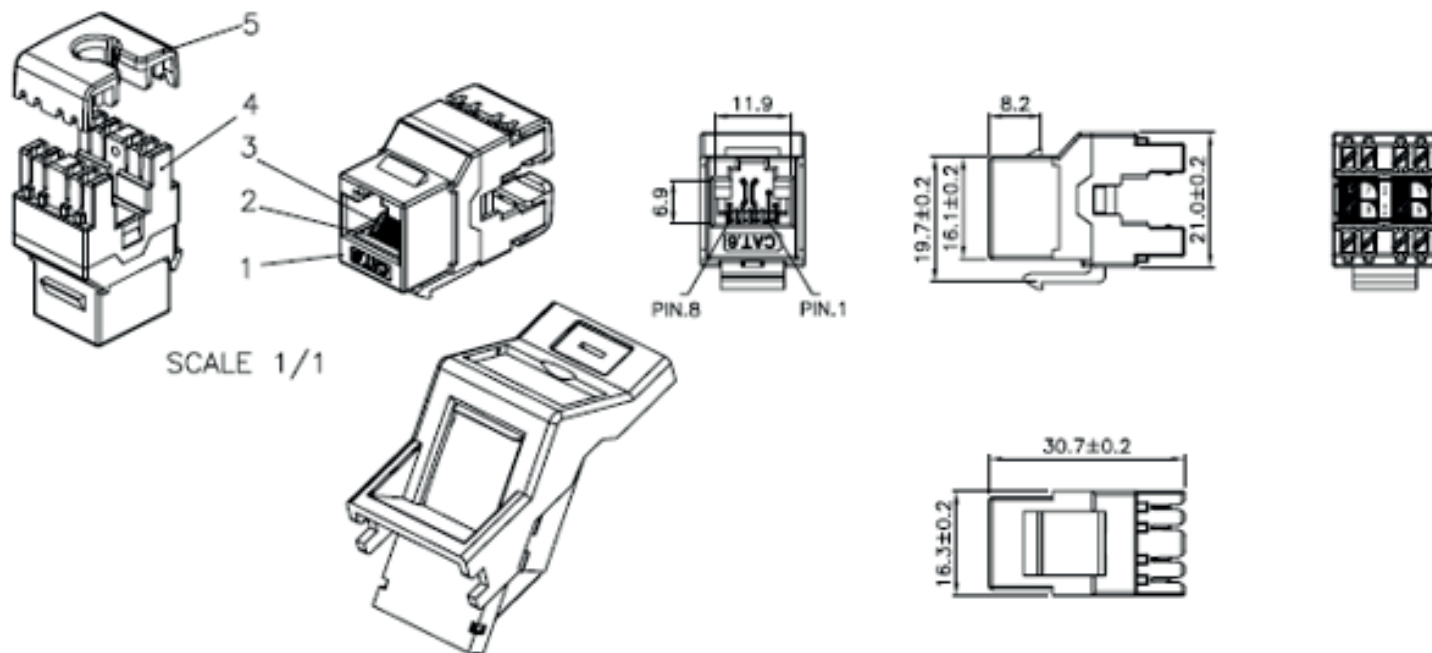
The Cat6 UTP 25mm x 50mm Angled Module offers Cat6 performance and supports high speed protocols up to 10G Ethernet.

The angled design enables enhanced cable management in backboxes and multiple cable entry options to ensure optimum cable bend radii can be achieved.

There is a wire retention cap and there are multiple points for cable strain relief using the supplied cable tie.

The spring-loaded shutter prevents contamination of the RJ45 contacts when the module is not in use. The module can be terminated with either Krone style or 110 punchdown tools and there is a protected labelling facility to provide clear outlet identification.

TECHNICAL DRAWING



ORDERING INFORMATION

Part Code	Description
72-3700	Cat6 UTP Angled Module 25mm x 50mm White