

Cat5e Modules



FEATURES

- Cat5e UTP Module
- Low Profile - 25mm x 50mm
- Spring Loaded Shutter
- Supports up to 1G Ethernet
- Protected Labelling Facility
- For use with 22-26AWG Stranded & Solid Wire

DESCRIPTION

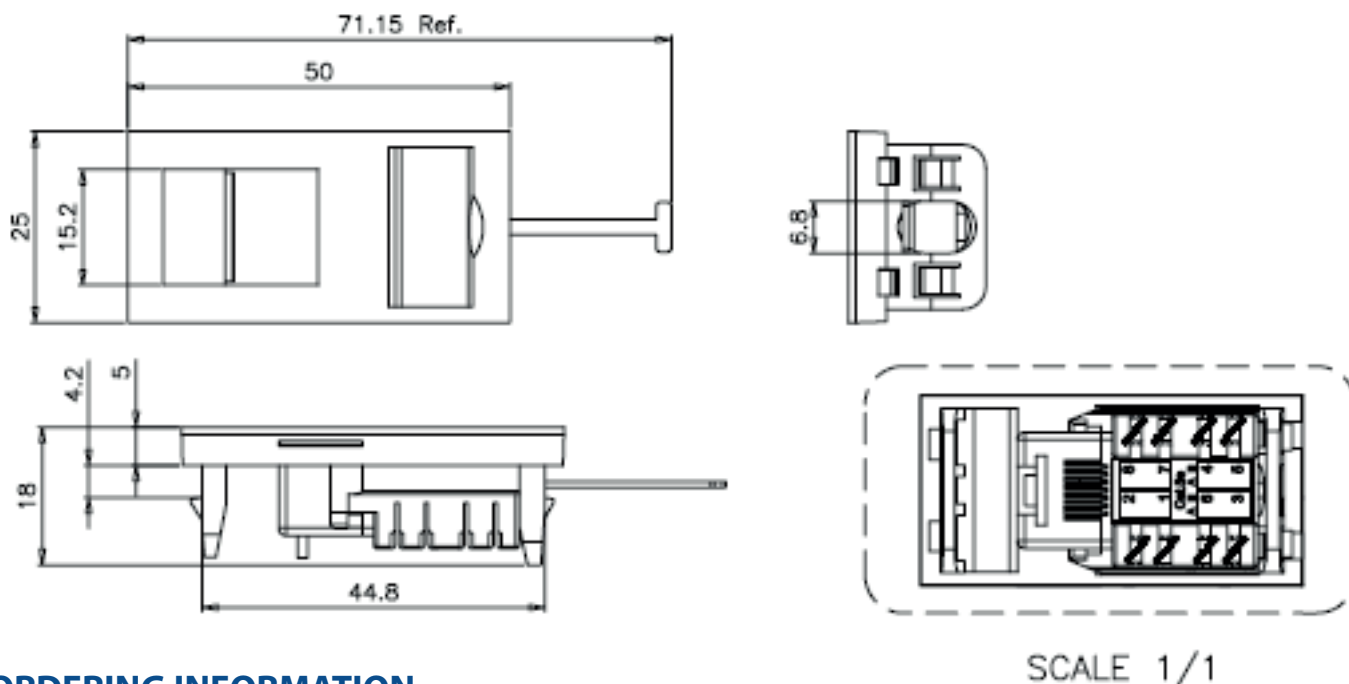
The Cat5e UTP 25mm x 50mm Module offers Cat5e performance and supports high speed protocols up to 1G Ethernet.

The low-profile design (20mm overall depth) enables enhanced cable management in backboxes and multiple cable entry options to ensure optimum cable bend radii can be achieved.

There is a wire retention cap and there are multiple points for cable strain relief using the supplied cable tie.

The spring-loaded shutter prevents contamination of the RJ45 contacts when the module is not in use. The module can be terminated with the Krone style punchdown tool and there is a protected labelling facility to provide clear outlet identification.

TECHNICAL DRAWING



ORDERING INFORMATION

Part Code	Description
72-3653	Cat5e UTP Module 25mm x 50mm White