



## FEATURES

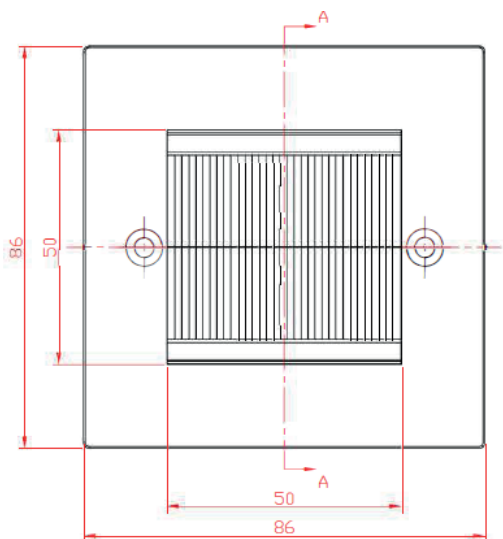
- Brush Module
- Black
- Single - 25mm x 50mm
- Dual - 50mm x 50mm
- Quad - 100mm x 50mm

## DESCRIPTION

Brush Modules are typically used in AV and similar applications to hide wires from view. They are intended to be used in their own dedicated AV faceplate to avoid the possibility of the user coming into contact with mains cables.

Available in 3 different sizes. Single (25mm x 25mm) Dual (50mm x 50mm) Quad (100mm x 50mm)

## TECHNICAL DRAWING



72-2698

## ORDERING INFORMATION

Part Code	Description
72-2697	25mm x 50mm Brush Module
72-2698	50mm x 50mm Brush Module
72-2699	100mm x 50mm Brush Module