



### FEATURES:

- USA (3 Pin) – C15
- Fully Moulded Connectors
- Black
- Available length: 2m
- 18AWG 3 Core Cable
- CPE



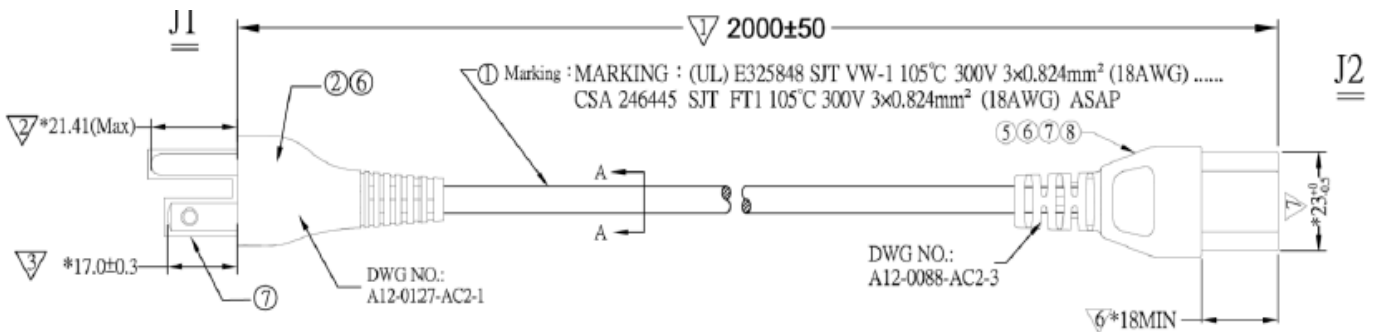
### DESCRIPTION:

The USA Plug (3 Pin) – C15 “Hot Condition” mains cable is used for powering a variety of electrical appliances where heat can be an issue – e.g. Cisco Catalyst Switches, HP Procurve switches and Dell Power Connect switches. The connectors are moulded to provide a high-quality cable which is perfect for office and/or comms room use.

### SPECIFICATIONS:

Connector: C15	UL817, IEC 60320-1
Plug: USA (3 Pin)	UL817
Cable: 18AWG 3 Core	UL62

### TECHNICAL DRAWING:



### ORDERING INFORMATION:

Part Code	Description
42- 2597	2m USA Pug (3 Pin) – IEC C15 Hot Condition Black H05RN-F Power Lead