



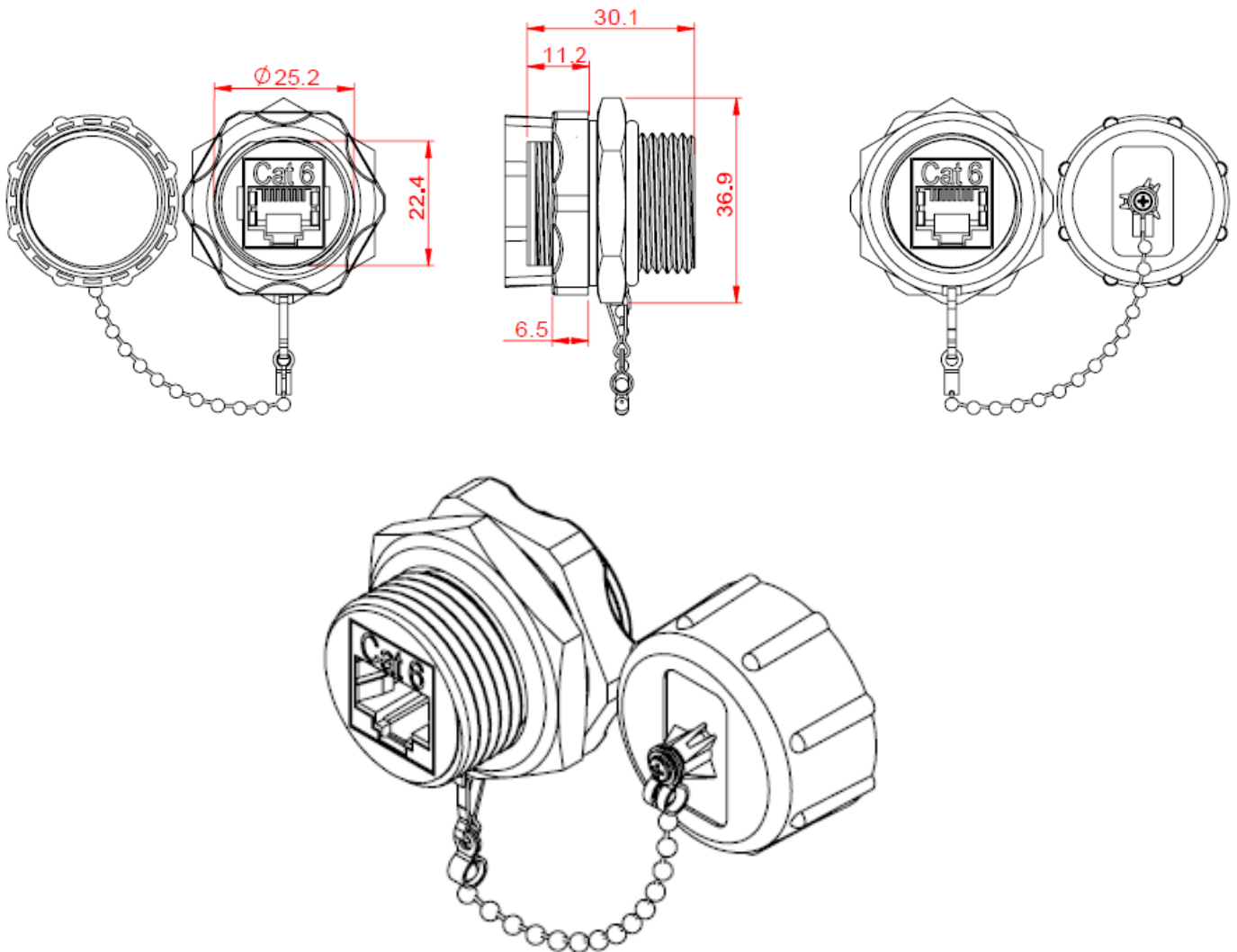
FEATURES:

- Industrial Bulkhead Coupler with Dust Cap
- Cat6
- STP
- IP68 Compliant
- 180 Degree

DESCRIPTION:

IP68 compliant Industrial Cat6 STP 180-degree bulkhead coupler with dust cap. These are used to prevent the network connectivity from moisture and dirt for quality connections.

TECHNICAL DRAWING:



ORDERING INFORMATION:

Part Code	Description
22-6011	Cat6 Industrial Bulkhead Coupler with Dust Cap

