

## Industrial Patch Lead



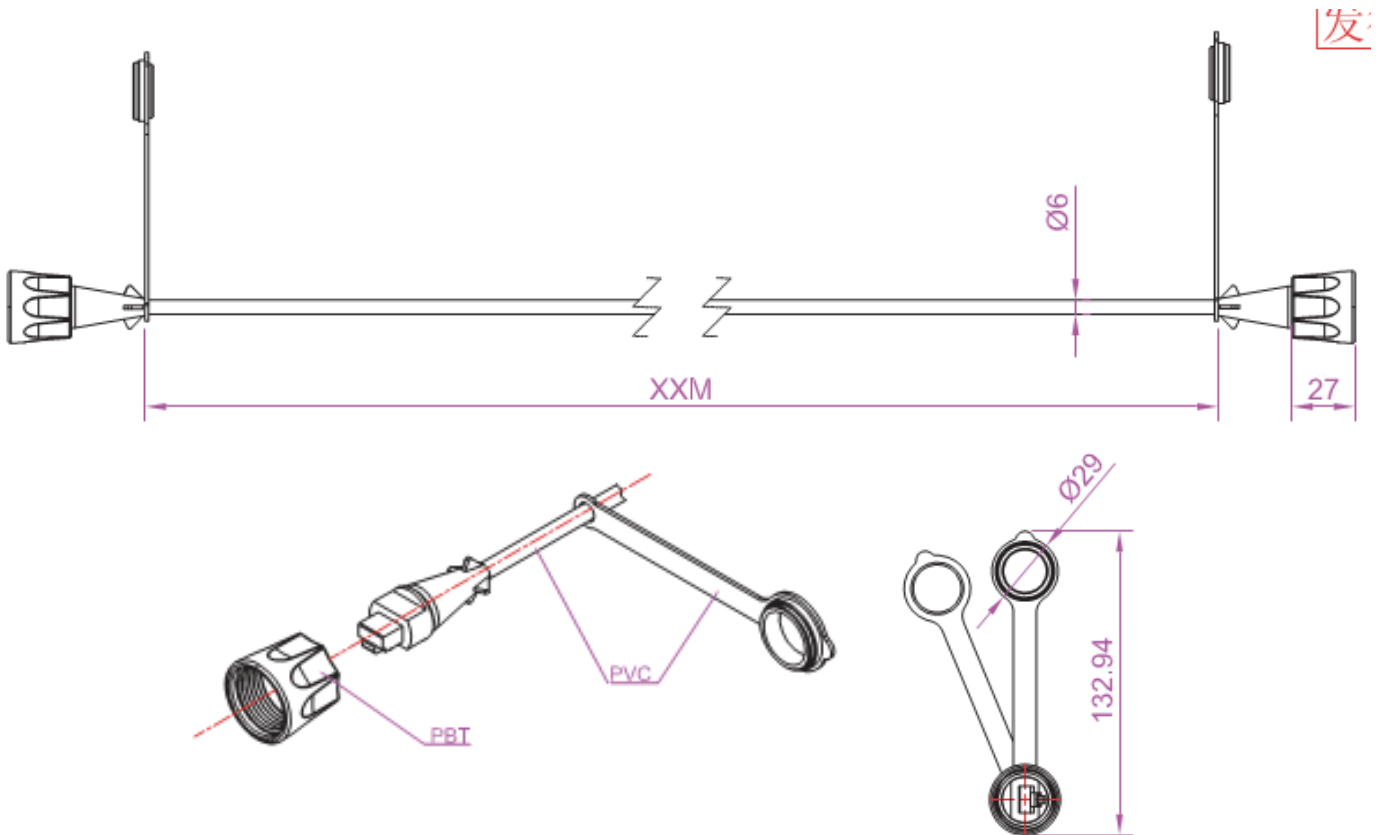
### FEATURES:

- Cat6 Industrial Patch Lead
- STP
- IP68 Compliant

### DESCRIPTION:

IP68 compliant Industrial Cat6 STP patch lead. Prevent your network connectivity from moisture and dirt for quality connections.

### TECHNICAL DRAWING:



### ORDERING INFORMATION:

Part Code	Description
22-6010	1m Cat6 STP Industrial Patch Lead

