



FEATURES:

- Assembly Kit for Outdoor Cable
- Waterproof
- 9.0mm OD
- IP68 Compliant
- Dust-Tight

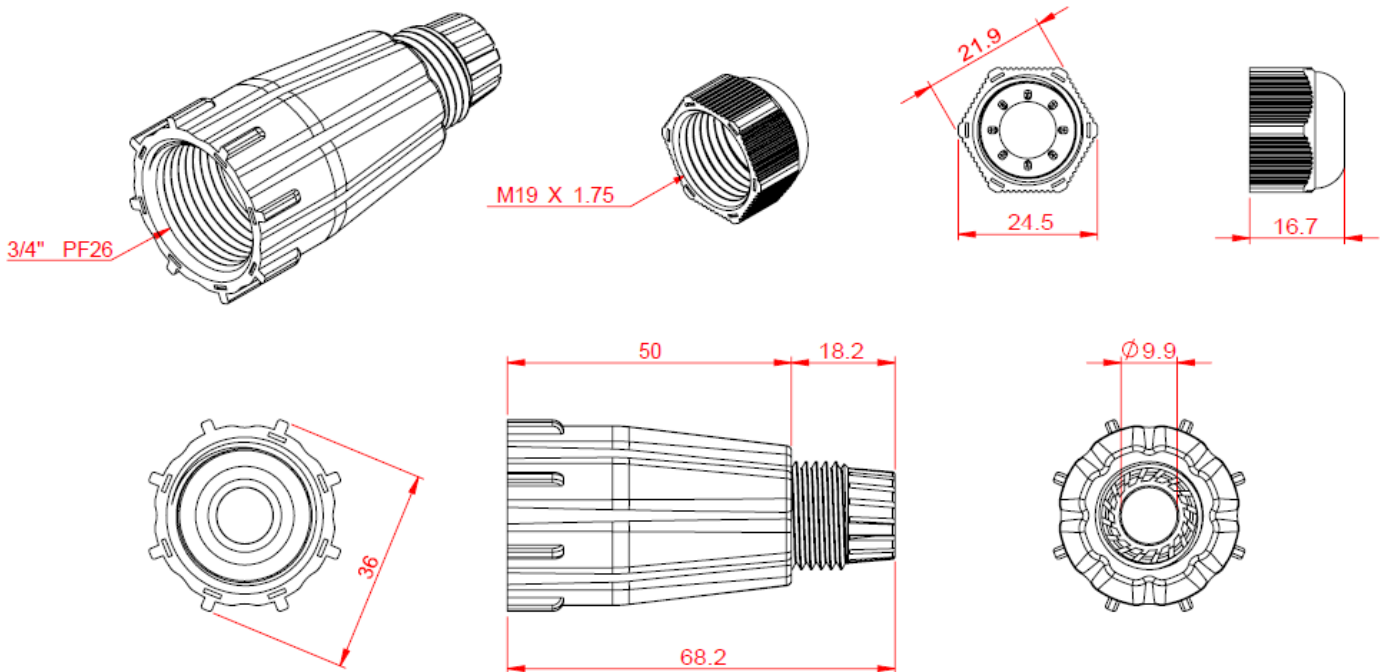
DESCRIPTION:

Installers can use the waterproof IP68 Assembly Kits for easy assembly using waterproof (external) cable.

Suggested assembly steps:

1. Strip the cable jacket by approx. 30mm, spread each pair and crimp with the RJ45 plug.
2. Mate the RJ45 connector with socket and tightly screw the boot, the connection is now waterproof.

TECHNICAL DRAWING:



ORDERING INFORMATION:

Part Code	Description
22-6000	IP68 Assembly Kit 9.0mm for Outdoor Cable

