

### FEATURES:

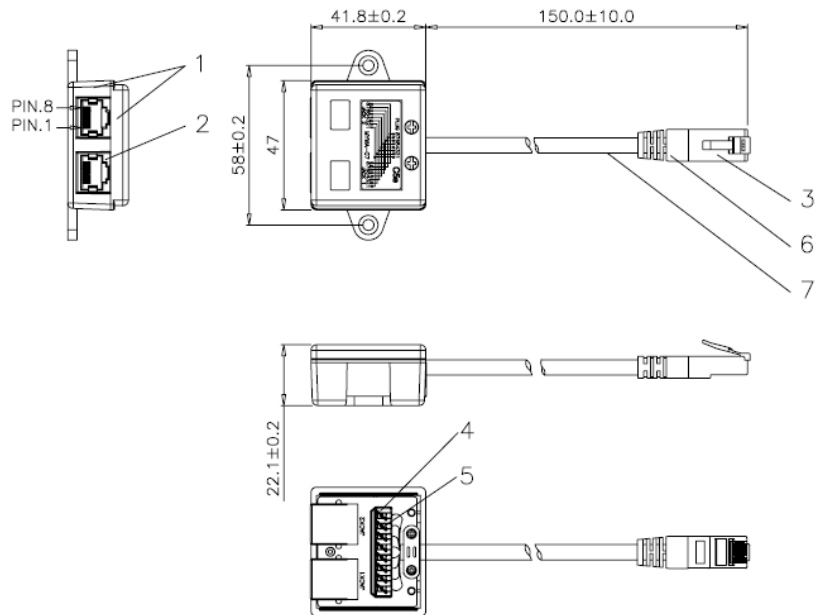
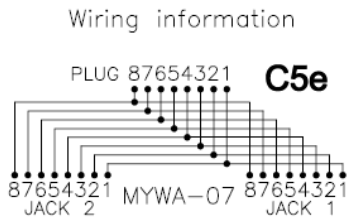
- Cat5e “Y” Bridge Adaptor



### DESCRIPTION:

This adaptor “Y” bridges all RJ45 jack pairs and is compatible with any jack wiring. It provides an additional 4-pair jack with the same wiring.

### TECHNICAL DRAWING:



### ORDERING INFORMATION:

Part Code	Description
22-2125	Cat5e Y Bridge Adaptor