



### FEATURES:

- Cat5e Crimp plug
- UTP
- Flat
- Stranded



### DESCRIPTION:

1-piece RJ45 Crimp Plug for flat stranded Cat5e UTP Cable

RJ45 cables can be terminated in two different ways as defined in TIA/EIA-568. One version is called T-568A and the other is T-568B. Both wiring standards are listed below.

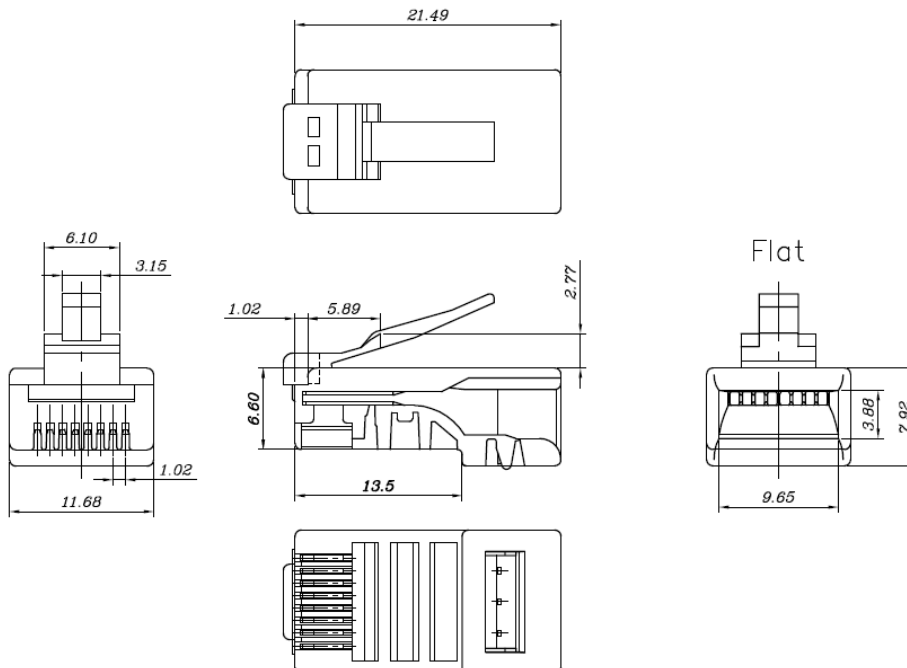
T-568B – Most Common wiring scheme

- 1 – White/Orange (Transmit +)
- 2 – Orange (Transmit -)
- 3 – White/Green (Receive +)
- 4 – Blue
- 5 – White/Blue
- 6 – Green (Receive -)
- 7 – White/Brown
- 8 – Brown

T-568A

- 1 – White/Green (Receive +)
- 2 – Green (Receive -)
- 3 – White/Orange (Transmit +)
- 4 - Blue
- 5 – White/Blue
- 6 – Orange (Transmit -)
- 7 – White/Brown
- 8 - Brown

### TECHNICAL DRAWING:



### ORDERING INFORMATION:

Part Code	Description
22-2101	Cat5e RJ45 UTP Flat Crimp Plug Stranded