

FEATURES:

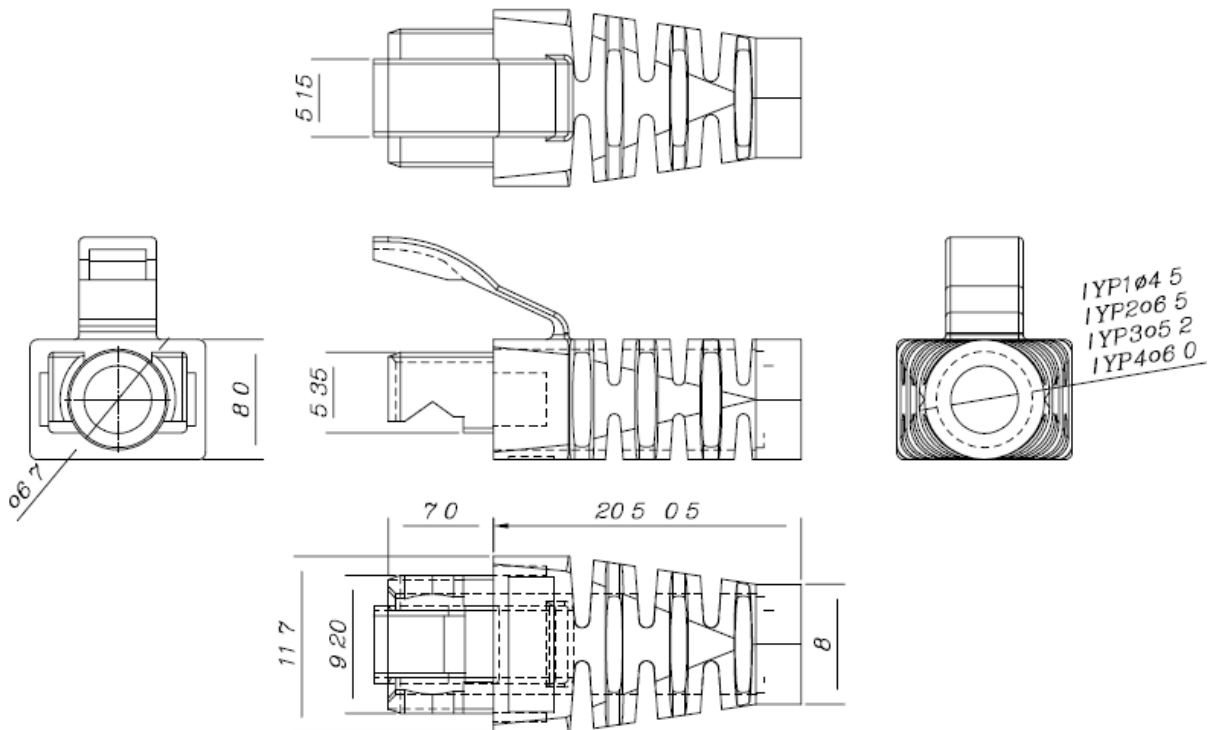
- EZ Easy Plug
- RJ45 Boot
- Clear Boot



DESCRIPTION:

Clear strain relief boot only for the EZ Easy Plug range of RJ45 plugs.

TECHNICAL DRAWING:



ORDERING INFORMATION:

Part Code	Description
22-2093	EZ Easy Plug RJ45 Boot